

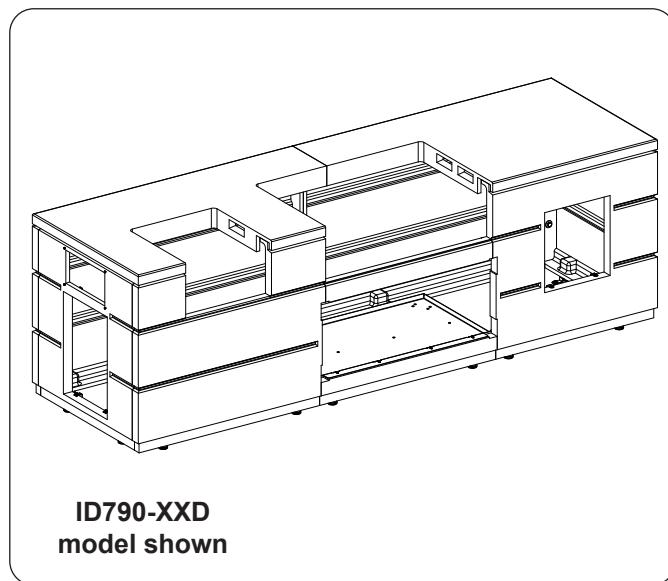


GFRC ISLAND (CONTEMPORARY MODELS)

Model #s: ID790-XX(R,D)-115XX

ASSEMBLY INSTRUCTIONS AND OWNER'S MANUAL

INSTALLER: Leave these instructions with consumer.
CONSUMER: Retain for future reference.



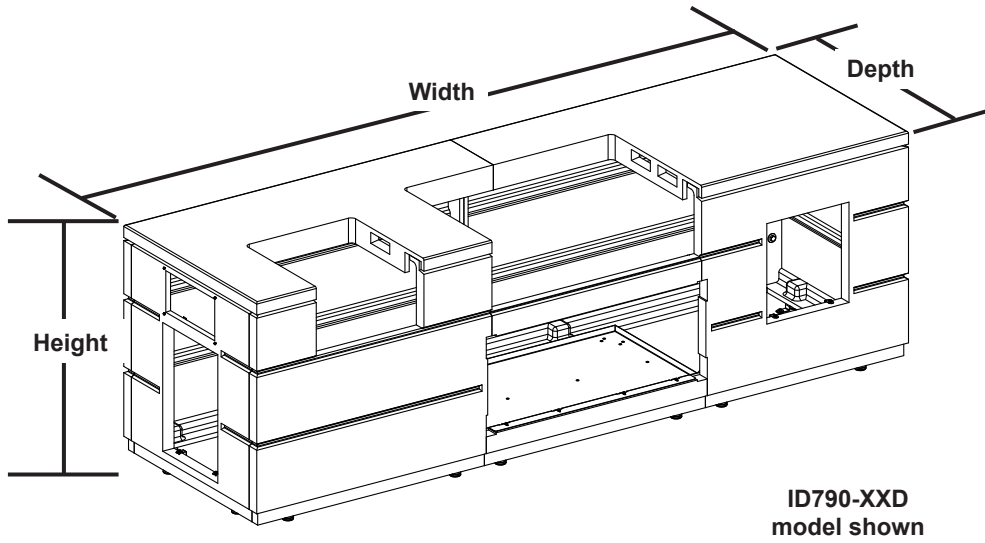
IMPORTANT: READ THESE INSTRUCTIONS CAREFULLY BEFORE STARTING INSTALLATION OR USE.

- Only Fire Magic/A.O.G. grills/griddles/pizza ovens and accessories can be used with this island.
- Fire Magic/A.O.G. grill/griddle/pizza oven and accessories are not included. Contact your dealer for ordering information.
- When installing an L.P. cylinder within this island, it must be installed with a Fire Magic Door w/ Tank Tray and Louvers:
Model #s (2,3)3820-TS(L,R), 53820(H)SC-T(L,R), 23920-1T-S
- **Follow all instructions included with the grill/griddle/pizza oven and accessories to be installed into this island.**
- This island design provides all necessary ventilation.
- Adapter kits are available to accommodate additional grills/griddles/pizza oven/accessories. Contact your dealer for ordering information.

SPECIFICATIONS AND DIMENSIONS

Description	Dimension
Height	37"
Width	115"
Depth	35"

Table 1 - Overall Island Dimensions



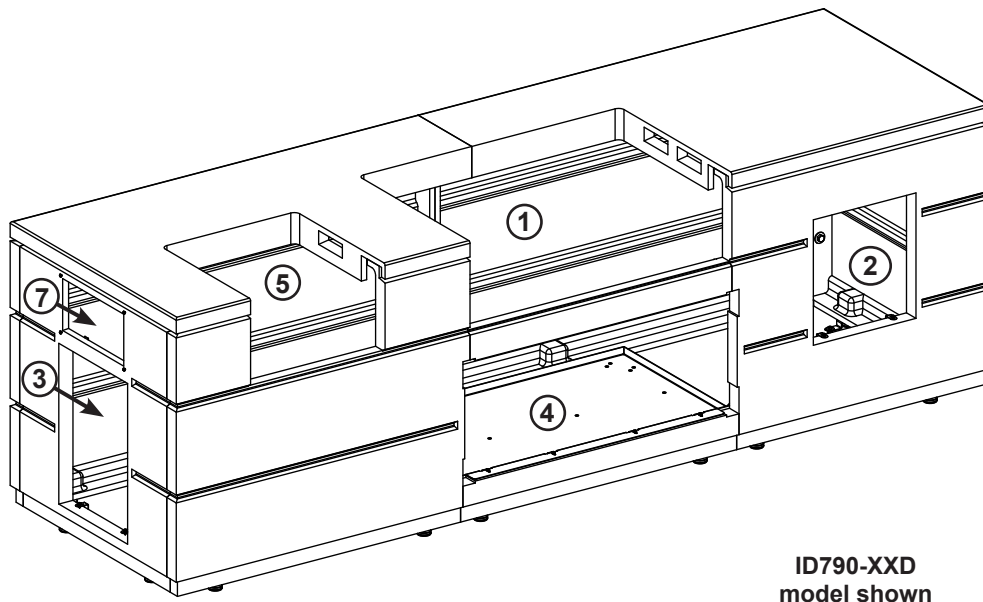
SPECIFICATIONS AND DIMENSIONS (Cont.)

Only Fire Magic/A.O.G. grills/griddles/pizza ovens and accessories can be used with this island. Below is a list of the options available for each island model. Contact your local dealer for ordering information.

	Item	Option(s)
1.	Grill/Griddle/Pizza Oven	(A,E,H)790i, (A,E)660i (w/ ID-AD-660 adapter kit), 5600 (w/ ID-AD-660 adapter kit), 36(N,P)B (w/ AD-36D adapter kit)
2.	Double Drawers / Refrigerator	33802, 53802(H)SC / 3598, 3598(H)-D(L,R), REF-21
3.	End Panel Door	23820-S, 23920-S, 23920-1-S, 23920-1T-S, 33820-S(L,R), 53820(H)SC-(L,R), 33820-TS(L,R), 53820(H)SC-T(L,R), 33920-S(L,R), 53920(H)SC-(L,R), 33920-1-S(L,R)
4.	Under Grill Access Door	53938(H)SC, 33938S
5.	Power Burner / Double Searing Station	19-7B, 19-(H)5B, 19-KB / 3288K-1, 32885-1, 32887-1
6.	Grill/Griddle/Pizza Oven Adapter Kit †	AD-36D [for 36(N,P)B grill], ID-AD-660 [for (A,E)660i grill/griddle/pizza oven]
7.	Stainless Steel Gas Timer Box	5521-12T, 5521-14T

† not shown

Table 2 - Island Options



PARTS LIST (CONT.)

Item	Description	ID790-XXD	ID790-XXR
		Qty.	Qty.
1.	Left side wall (A)	1	1
2.	Rear wall (B1)	1	1
3.	Rear wall (B2)	1	1
4.	Right side wall (C)	1	1
5.	Front wall (D1)	1	1
6.	Front wall (D2)	1	1
7.	Front wall (D3)	1	1
8.	Front wall (D4) (design may vary)	1	1
9.	Duplex outlet box assy.	2	2
10.	Heat shield	n/a	1
11.	Countertop (2 pieces)	1	1
12.	Floor pan	1	1
13.	Power supply box bracket (w/ Phillips screws)	1	1
14.	Outlet bracket *	1	1
15.	Door bracket (w/ hex screw)	16	12
16.	Leveler bolts	14	13
17.	Floor mounting brackets (w/ hardware)	4	4
18.	Hardware kit A * †	8	6
19.	Hardware kit B * ‡	2	2
20.	Hardware kit C * ▲	6	4
21.	Timer box screws *	4	4

- Your island is packaged onto 1 pallet.
- The main pieces are labeled (alphabetically) to assist in identification and assembly.
- Select model is illustrated (your model may vary)

IMPORTANT
Remove all packing material (including any protective coatings) and discard prior to use.

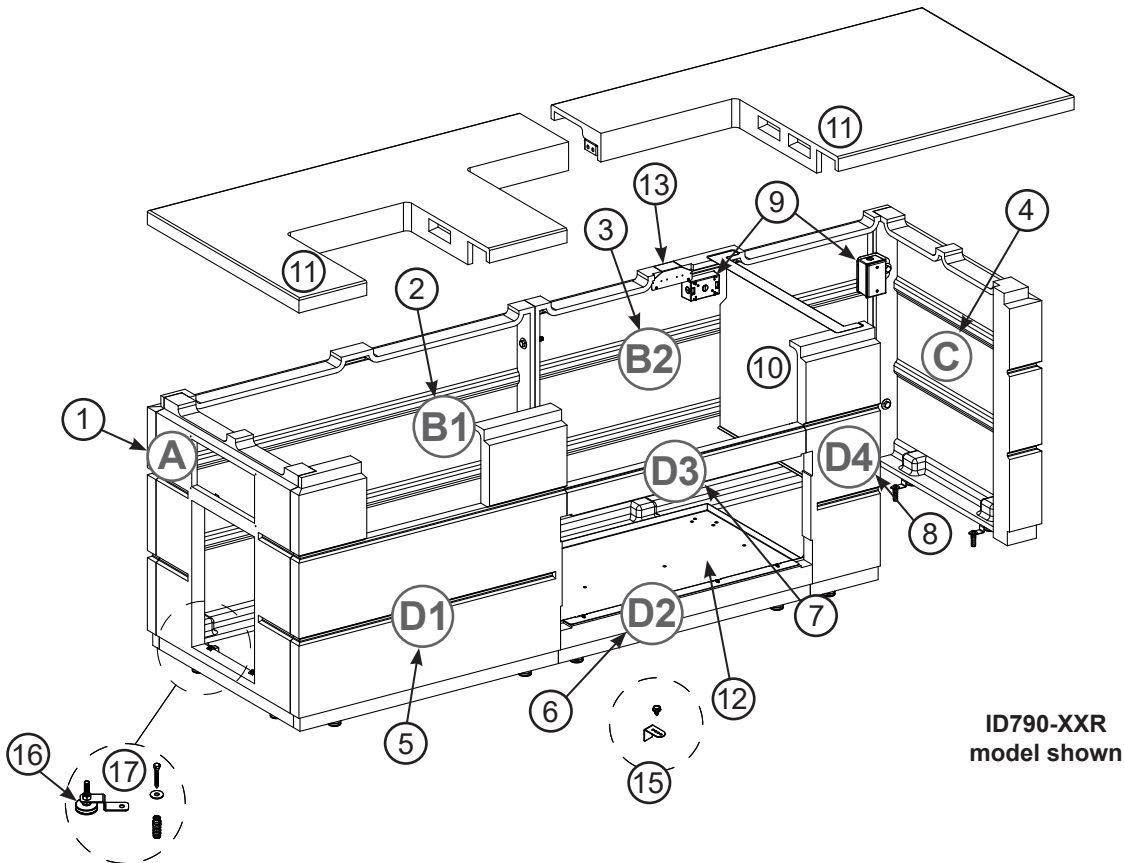
**COMPONENTS
 ARE HEAVY
 HANDLE WITH CARE**

* not shown

† each kit contains: (1) 1/2"-13 x 1.75" bolt, (1) washer

‡ each kit contains: (1) 1/2"-13 x 3" bolt, (1) nut, (2) washers

▲ each kit contains: (1) 1/2"-13 x 1.75" bolt, (1) nut



ASSEMBLY AND INSTALLATION

WARNING: Failure to position the parts in accordance with these diagrams or failure to use only parts specifically approved with this unit may result in property damage or personal injury.

TOOLS REQUIRED

- $\frac{7}{16}$ " , $\frac{1}{2}$ " , $\frac{9}{16}$ " , $\frac{3}{4}$ " open end wrenches
- Power drill with $\frac{5}{16}$ " hex driver and #2 Phillips driver
- Level
- Flathead screwdriver

LOCATION

While following all requirements and safety information in the owner's manuals included with your products, determine and prepare the location of the island (a hard and level surface).

Note: A combustible surface is permitted.

Important: The gas supply and electrical setup must be considered when determining the location of the island. Refer to all owner's manuals included with your products for details (as applicable).

**ASSEMBLY AND INSTALLATION REQUIRES TWO OR MORE PEOPLE.
EXERCISE EXTREME CARE DURING ASSEMBLY AND INSTALLATION.**

ASSEMBLY AND INSTALLATION (Cont.)

ASSEMBLY AND INSTALLATION OVERVIEW - REFRIGERATOR MODELS

CAUTION: Island components are heavy. **CAREFULLY** handle all components during assembly.

- Fig. 6-1 provides an overall orientation and bolt assembly detail for the island with refrigerator.
- This section is just an overview, refer to the following step-by-step section for complete assembly (and grill/griddle/pizza oven/accessory installation) details.

ONLY **HAND TIGHTEN**

BOLTS DURING
STEPS 2!

FULLY TIGHTEN
DURING STEP 3.

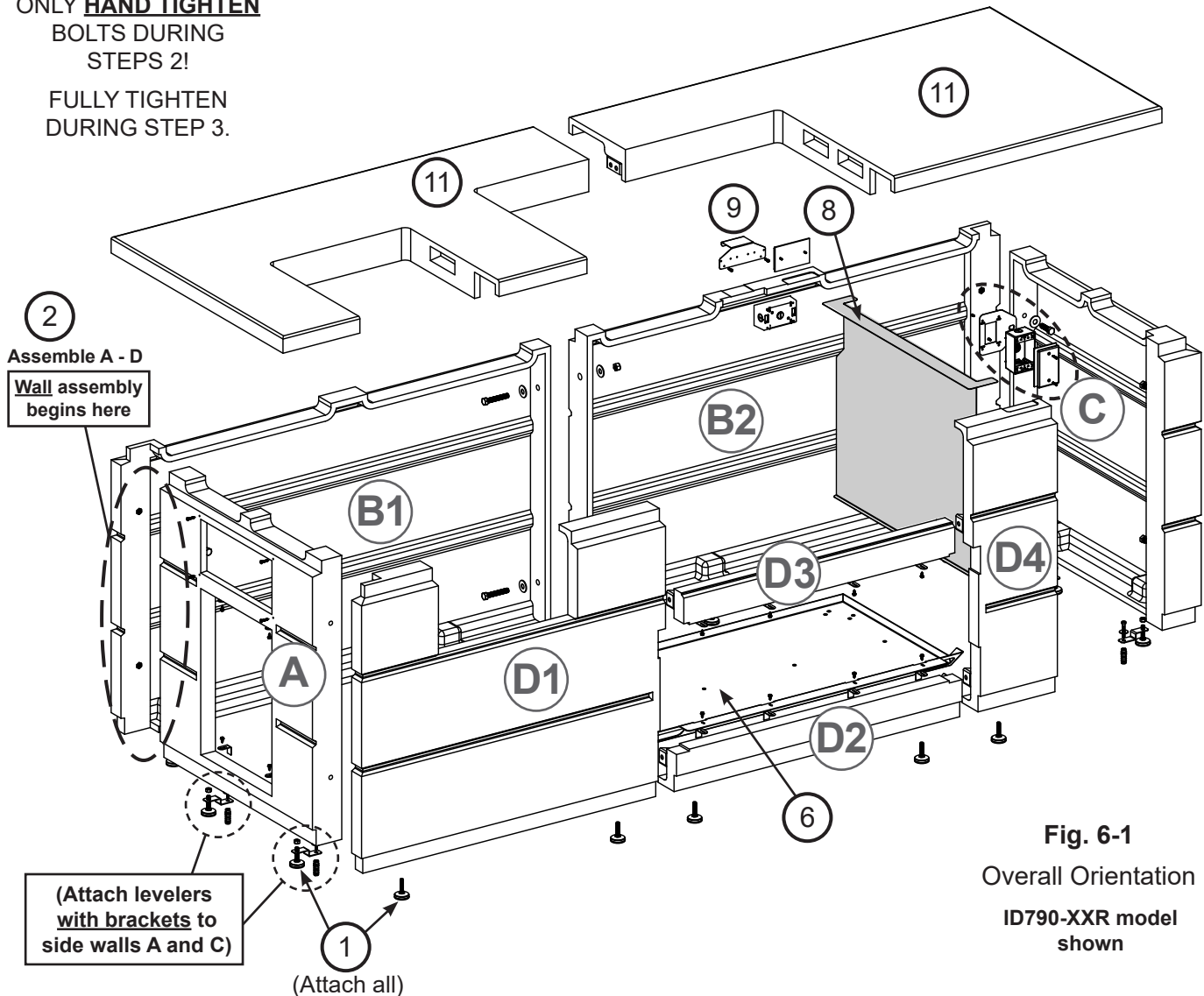


Fig. 6-1

Overall Orientation

ID790-XXR model
shown

ASSEMBLY / INSTALL OVERVIEW

- | | | |
|---|---|---|
| <p>1. Attach all levelers</p> <p>2. Assemble walls (A-D)</p> <p>Note: <i>Install outlet box w/ C</i></p> <ul style="list-style-type: none"> • rear wall (B) consists of left piece and right piece • front wall (D) consists of left piece, bottom beam, top beam, and right piece | <p>3. Adjust levelers to level top surfaces of unit evenly, ensure unit is square, then fully tighten all bolts *</p> <p>4. Secure island to floor *</p> <p>5. Install electrical *</p> <p>6. Install floor pan</p> <p>7. Install doors *</p> <p>8. Place heat shield</p> | <p>9. Install power supply box (only bracket shown)</p> <p>10. Install refrigerator *</p> <p>11. Place countertop: countertop consists of left piece, right piece, and requires assembly</p> <p>12. Install grill/griddle/pizza oven/ and timer box *</p> <p>13. Install double searing station/ power burner *</p> |
|---|---|---|

* not shown

ASSEMBLY AND INSTALLATION (Cont.)

ASSEMBLY AND INSTALLATION OVERVIEW - DOUBLE DRAWER MODELS

CAUTION: Island components are heavy. **CAREFULLY** handle all components during assembly.

- Fig. 7-1 provides an overall orientation and bolt assembly detail for the island with double drawers.
- This section is just an overview, refer to the following step-by-step section for complete assembly (and grill/griddle/pizza oven/accessory installation) details.

ONLY **HAND TIGHTEN**
BOLTS DURING
STEPS 2!

FULLY TIGHTEN
DURING STEP 3.

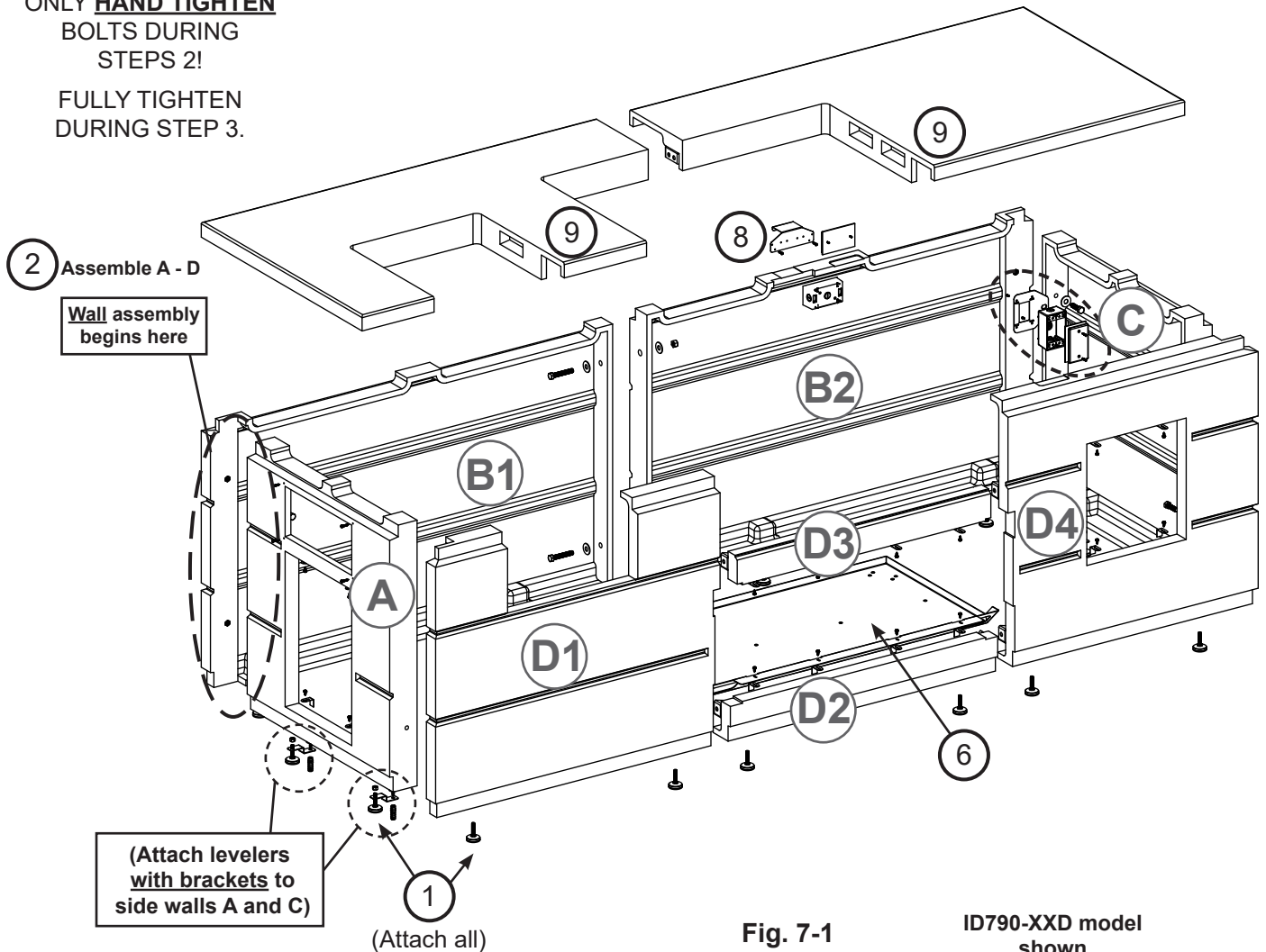


Fig. 7-1
Overall Orientation

ID790-XXD model
shown

ASSEMBLY / INSTALL OVERVIEW

- | | | |
|--|---|--|
| <p>1. Attach all levels</p> <p>2. Assemble walls (A-D)
Note: <i>Install outlet box w/ C</i></p> <ul style="list-style-type: none"> • rear wall (B) consists of left piece and right piece • front wall (D) consists of left piece, bottom beam, top beam, and right piece | <p>3. Adjust levels to level top surfaces of unit evenly, ensure unit is square, then fully tighten all bolts *</p> <p>4. Secure island to floor *</p> <p>5. Install electrical *</p> <p>6. Install floor pan</p> <p>7. Install drawer and doors *</p> | <p>8. Install power supply box (only bracket shown)</p> <p>9. Place countertop: countertop consists of left piece, right piece, and requires assembly</p> <p>10. Install grill/griddle/pizza oven and timer box *</p> <p>11. Install double searing station/power burner *</p> |
|--|---|--|

* not shown

ASSEMBLY AND INSTALLATION (Cont.)

ASSEMBLY AND INSTALLATION - STEP BY STEP

CAUTION: Island components are heavy. **CAREFULLY** handle all components during assembly.

Important: **DO NOT** fully tighten any bolts until the island base is leveled and squared. Hand tighten until instructed to fully tighten.

Note: The main pieces are labeled (alphabetically) to assist in identification and assembly.

Attach Levelers

1. Locate the island pieces in an appropriate location (refer back to the LOCATION section if needed).
2. Carefully lay down all pieces that make up the island base and attach the levelers (see Fig. 8-1).

Note: 4 of the levelers have floor mounting brackets pre-installed. Use 2 on each side wall. See Fig. 8-1.

3. Attach the final 2 levelers to the bottom of the floor pan (for future installation).

Important: The levelers are required for ventilation and leveling purposes.

Assemble Left Side (A) and Rear Wall (B)

1. Position the left side wall (A) and rear wall piece (B1) as shown. Carefully align the pilot holes, and insert the hardware (hardware kit A) in the order shown. Hand tighten only. See Fig. 8-2.
2. Position the rear wall piece (B2) as shown. Repeat the hardware installation process (hardware kit B). Hand tighten only. See Fig. 8-2.

Assemble Right Side Wall (C) and Install Outlet Box

1. Position the right side wall (C) and repeat the hardware installation process (hardware kit A) for the bottom hardware first. Ensure the top pilot holes are also aligned. Hand tighten only. See Fig. 8-3, step 1.

An outlet box assembly is provided and requires installation. Assemble the box as shown using a Phillips screwdriver, then repeat the hardware installation process (hardware kit A) to secure both the top of the right wall and the outlet box in place. Hand tighten only. See Fig. 8-3, step 2 and Fig. 8-4.

Note: Covers are provided for any outlets that will not be used (if applicable).

Installation continued on next page

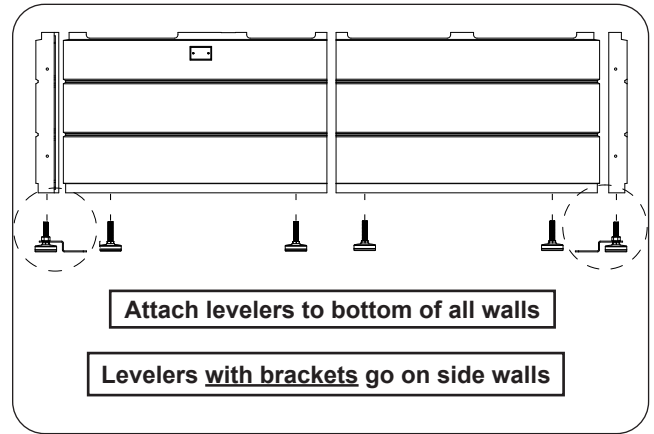


Fig. 8-1 Attach levelers

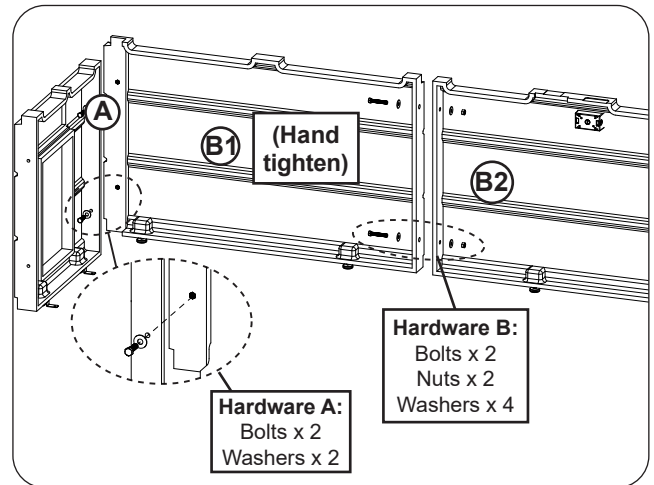


Fig. 8-2 Assemble left side and rear wall

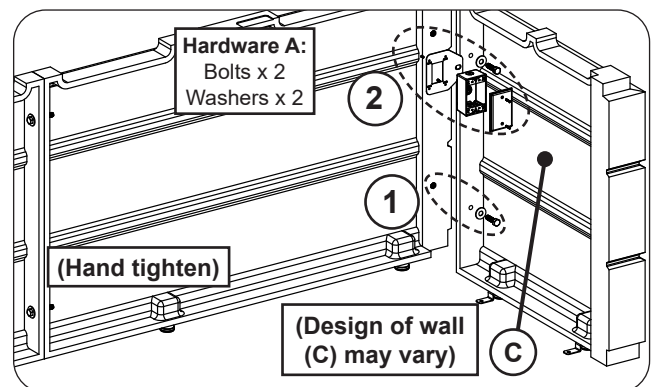


Fig. 8-3 Assemble right side wall and outlet box

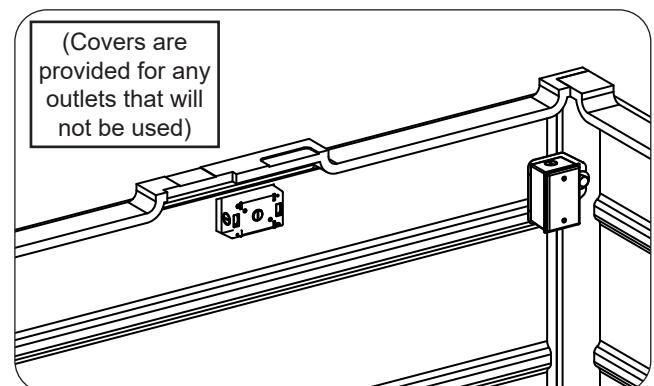


Fig. 8-4 Right side wall and outlet box installed

ASSEMBLY AND INSTALLATION (Cont.)

Assemble Front Wall (D)

1. Position the left front wall piece (D1) and repeat the hardware installation process (hardware kit A). Hand tighten only. See Fig. 9-1.
2. Position the bottom beam (D2) as shown. Carefully align the pilot holes, and insert the hardware (hardware kit C) in the order shown. Hand tighten only. See Fig. 9-2.
3. Position the top beam (D3) and repeat the hardware installation process (hardware kit C). Hand tighten only. See Fig. 9-2.

Note: Ensure the beam is flush with the front wall when tightening.

4. **ID790-XXD models:** Position the right front wall piece (D4) and repeat the hardware installation process to fasten it to the right side wall (hardware kit A), and then to the beams (hardware kit C). Hand tighten only. See Fig. 9-3.

ID790-XXR models: Position the right front wall piece (D4) and repeat the hardware installation process (hardware kit C). Hand tighten only. See Fig. 9-3.

Installation continued on next page

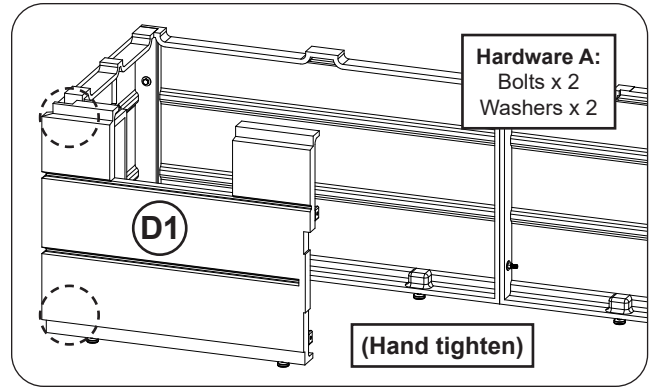


Fig. 9-1 Assemble front wall (left piece)

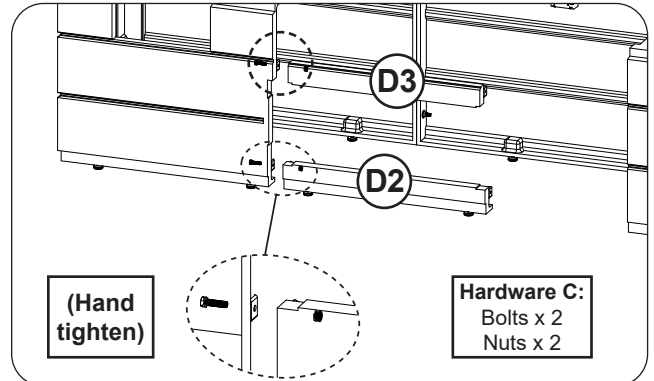


Fig. 9-2 Assemble top and bottom beams

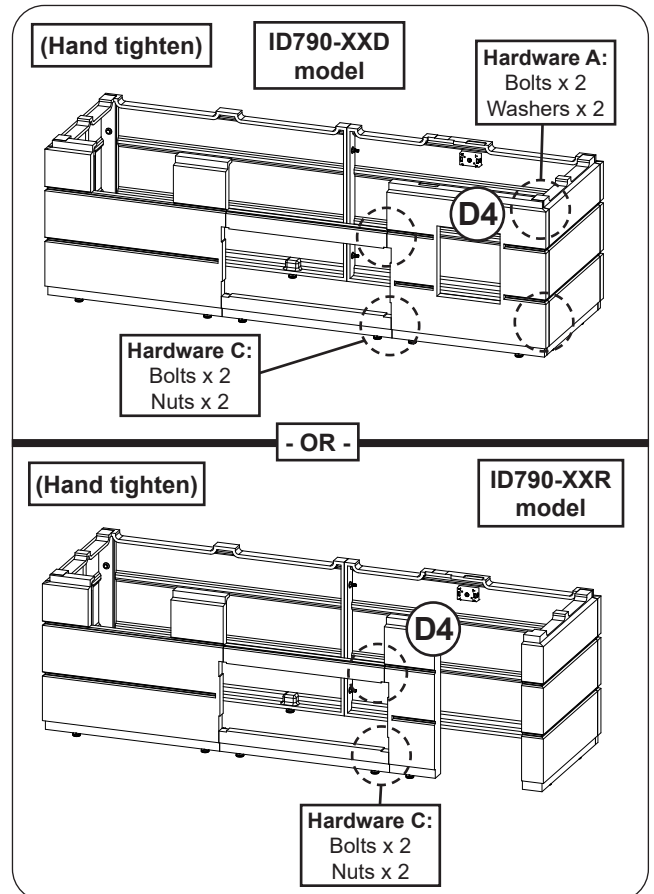


Fig. 9-3 Assemble front wall (right piece)

ASSEMBLY AND INSTALLATION (Cont.)

Level, Square, & Fully Tighten Island Base

1. Use the level to ensure the top surfaces of the assembly are level. The levelers at the bottom of the island may be adjusted as needed with a $\frac{1}{2}$ " open end wrench. See Fig. 10-1.
2. Check for squareness of the island.
 - a. Measure the X outer dimension, see Fig. 10-2. It should be approximately 117 $\frac{1}{8}$ "
 - b. Measure the Y outer dimension, see Fig. 10-2. Carefully adjust the side walls as needed to ensure the X & Y dimensions are equal. (The final dimension may slightly vary from that mentioned in step a.)
 - c. Measure the Z outer dimension, see Fig. 10-2. It should be approximately 32 $\frac{1}{2}$ ".
3. **Once the assembly is level and square, use the two $\frac{3}{4}$ " open end wrenches (or equivalent) to fully tighten all hardware. DO NOT OVERTIGHTEN.**

Note: Tightening of the hardware may slightly alter the setup. Check once more to ensure the island is level and square, and adjust if needed.

Secure Island to Floor

1. Secure the island to the floor using the 4 pre-installed mounting brackets. Use a $\frac{7}{16}$ " open end wrench and the supplied mounting hardware as appropriate. See Fig. 10-3, A.

Finish by tightening down the brackets. Hold a leveler in place (below bracket) with a $\frac{1}{2}$ " open end wrench, and tighten the nut (above bracket) using a $\frac{9}{16}$ " open end wrench. See Fig. 10-3, B.

Installation continued on next page

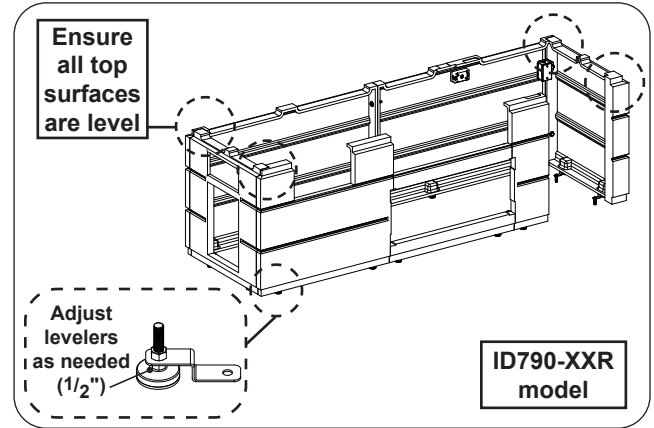


Fig. 10-1 Level assembly

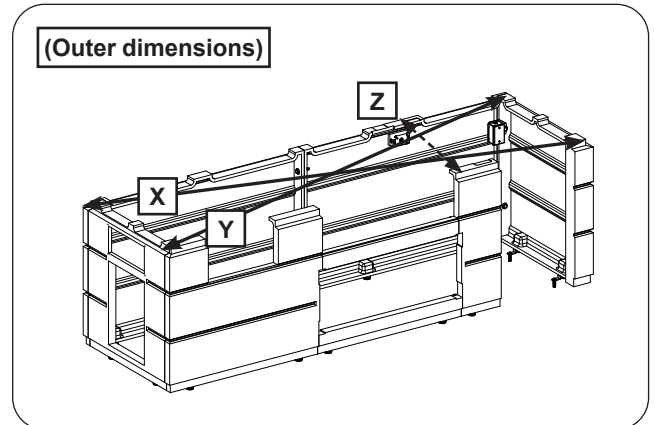


Fig. 10-2 Square unit (then tighten all bolts)

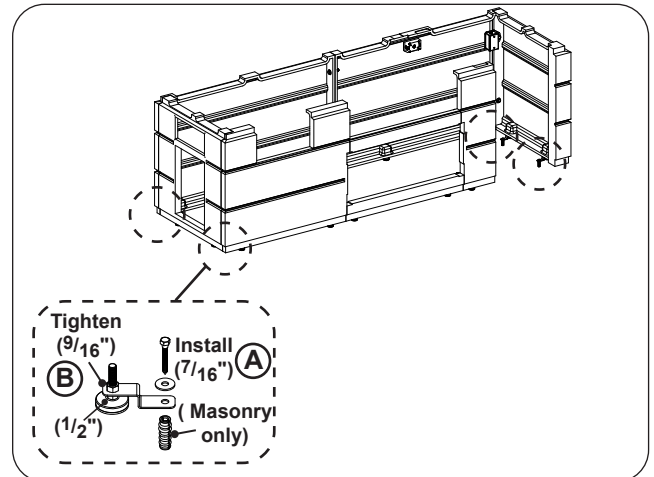


Fig. 10-3 Mount island

Install Electrical

Have a licensed electrician route the electrical setup for your island. Two outlet boxes are available. The primary box is located on the interior of the right wall. An additional box exists at the top of the rear wall. See Fig. 11-1.

Your installation may vary. **Follow all instructions included with the grill/griddle/pizza oven and accessories to be installed into this island. Observe the National Electric Code and all local codes.**

Install Floor Pan

1. Place floor pan into the access door cutout as shown (see Fig. 11-2).
2. Use a level to ensure the top of the pan is level. The levelers at the bottom of the pan may be adjusted as needed. The floor pan will be secured during access door installation.

Installation continued on next page

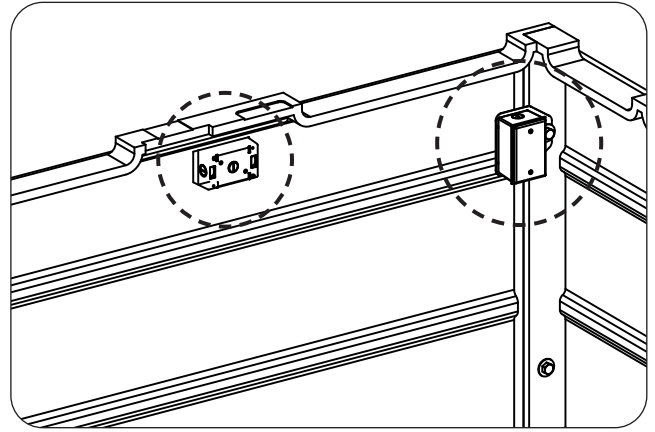


Fig. 11-1 Install electrical (as needed)

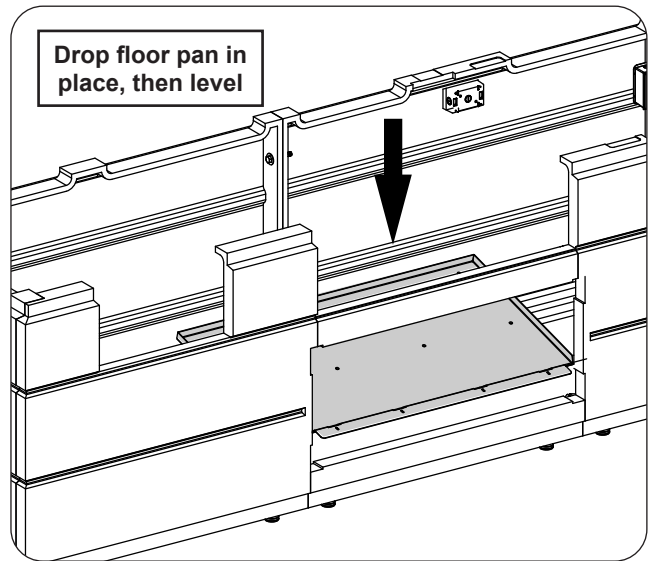


Fig. 11-2 Place floor pan

ASSEMBLY AND INSTALLATION (Cont.)

Install Drawers and/or Doors

The drawers/doors for your island are purchased separately. Review the instructions provided with your accessories.

Brackets are provided for ease of installation in this island. Follow the steps below.

1. Insert your unit completely into the appropriate opening. Ensure it is flush against the exterior wall (see Fig. 12-1 and Fig. 12-2, step 1).
2. The unit will have 2-4 oblong cutouts (or round holes) on both the top and bottom of its frame. Reach from within the island and insert a bracket where a cutout exists, **below the frame**. See Fig. 12-2, step 2.

Note: When installing the under grill access door ensure the bracket is inserted **below the frame AND floor pan** (see Fig 12-3, step 2).

3. While squeezing the rear of the bracket and the front of the door frame **firmly** against the concrete wall, insert a hex screw and tighten with the power drill and 5/16" hex driver (see Fig. 12-2 or Fig 12-3, step 3). **DO NOT OVERTIGHTEN.**

Note: Certain models may require a second person to hold the bracket against the concrete wall from within the island enclosure.

4. Repeat this process for the remaining brackets and the remaining drawers/doors in the island.

Note: Only the cutouts in the top and bottom of the frames require brackets.

Installation continued on next page

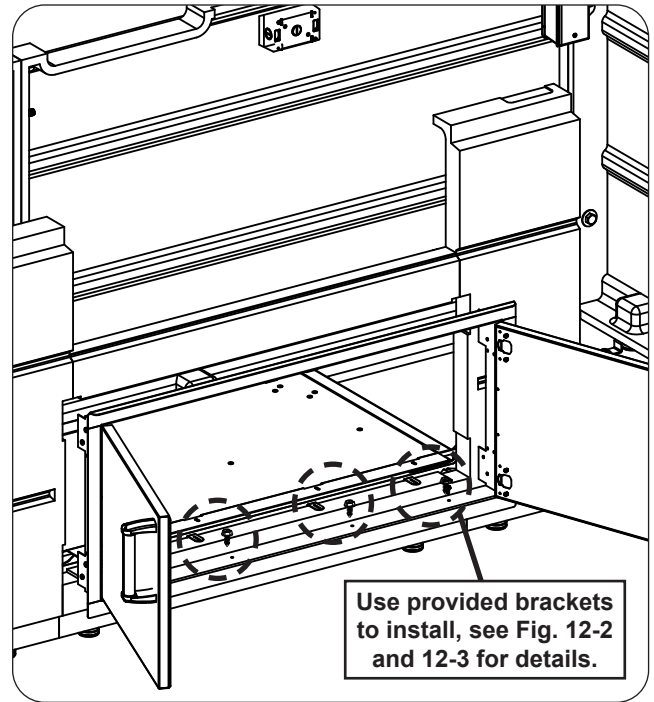


Fig. 12-1 Door / drawer install

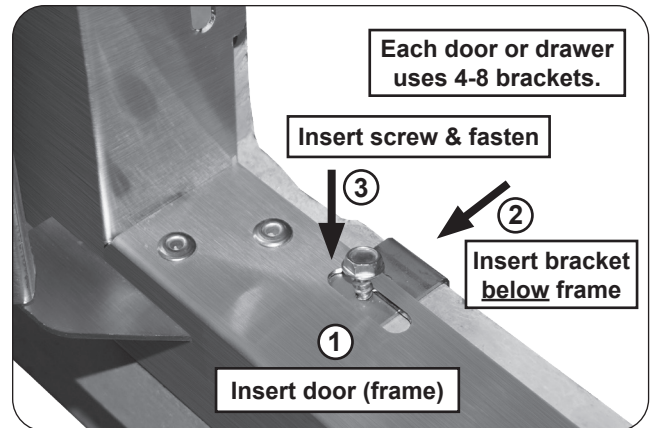


Fig. 12-2 Door / drawer install detail

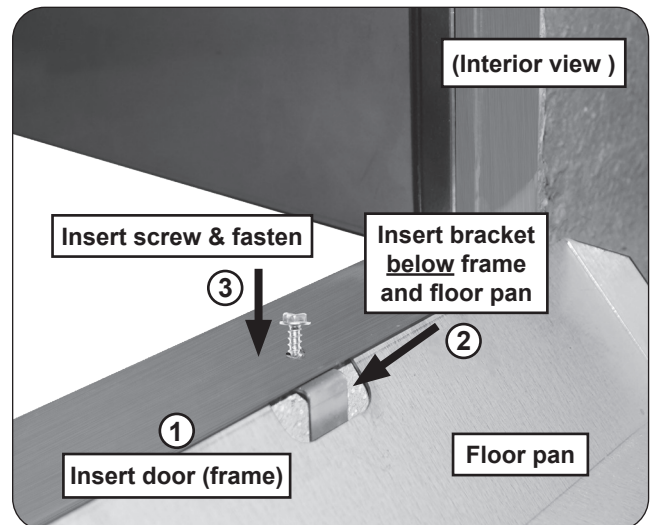


Fig. 12-3 Door / floor pan install detail

Place Heat Shield (if applicable)

Place the heat shield as shown in Fig. 13-1. It will need to be inserted at an angle to clear the island (step 1). Then turn it (within the island slots) until it is perpendicular with the front and rear walls (step 2). Locate the heat shield in place by using the grooves found on the top of the front and rear walls (step 3).

Install Power Supply Box (if applicable)

A power supply box is included with your grill/griddle and requires installation.

CAUTION: Refer to the grill/griddle owner's manual for all safety information regarding the power supply box.

A bracket is provided for installation in this island. Follow the steps below.

Note: If a pizza oven is being installed into the island, the power supply box bracket is not needed and this section can be skipped. The pizza oven control box is to be installed per the pizza oven owner's manual (at the time of pizza oven installation). Pizza oven installation is addressed later in this instruction.

1. **First** place the power supply box bracket over the rear wall, in the groove just to the left of the outlet box (see Fig. 13-2).
2. Disconnect the power supply harness extension from the grill/griddle, then align the pilot holes on the power supply box with the holes on the bracket. Insert the two Phillips screws and tighten with the power drill and #2 Phillips driver (see Fig. 13-2). **DO NOT OVERTIGHTEN.**

Note: Power supply box design may vary.

3. Once the box is installed route the power cord behind the heat shield (if applicable) and toward the electrical outlet (for future grill/griddle installation). See Fig 13-3.

Install Refrigerator (if applicable)

The refrigerator for your island is purchased separately. Follow all instructions provided with your accessory.

In addition to all information found in the owner's manual, simply slide the refrigerator and plug it into the island electrical outlet (see Fig. 13-4).

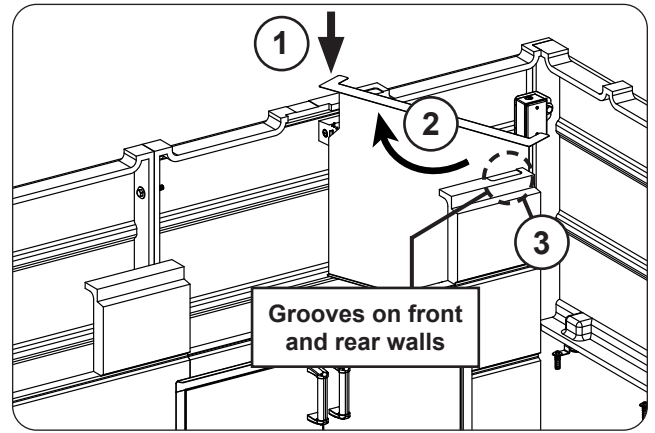


Fig. 13-1 Place heat shield (as applicable)

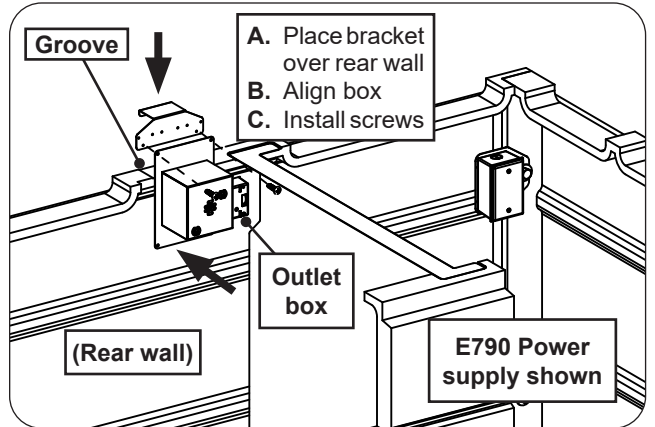


Fig. 13-2 Install power supply box

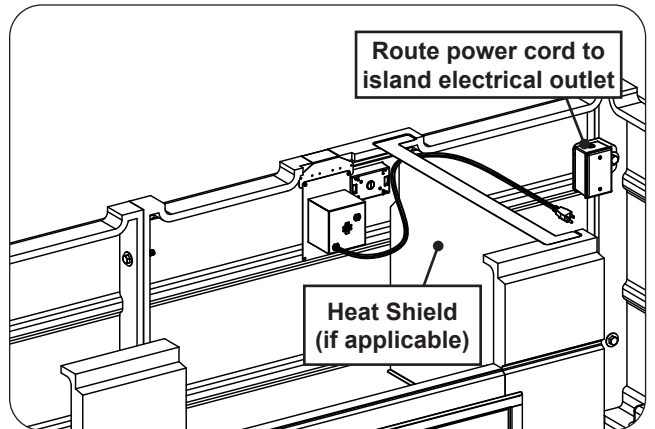


Fig. 13-3 Route power supply box wire

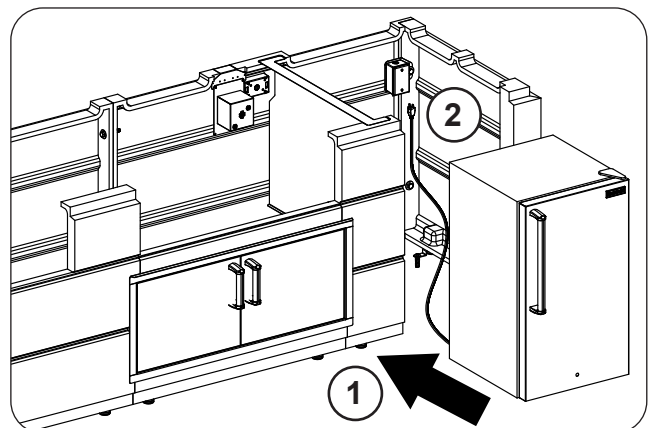


Fig. 13-4 Install refrigerator (if applicable)

Installation continued on next page

Place Countertop

1. Apply silicone along the top of the island (see Fig. 14-1, step 1).
2. Place the countertop left piece onto the island as shown in Fig. 14-1, step 2. (Be sure to align the cutouts in the countertop with the openings in the front wall.)
3. Apply silicone along the countertop seam (see Fig. 14-1, step 3).
4. Place the countertop right piece onto the island as shown in Fig. 14-1, step 4. (Be sure to align the cutout in the countertop with the opening in the front wall.)
5. Repeat the hardware installation process (hardware kit C) and use two $\frac{3}{4}$ " open end wrenches (or equivalent) to tighten (see Fig. 14-1, step 5).

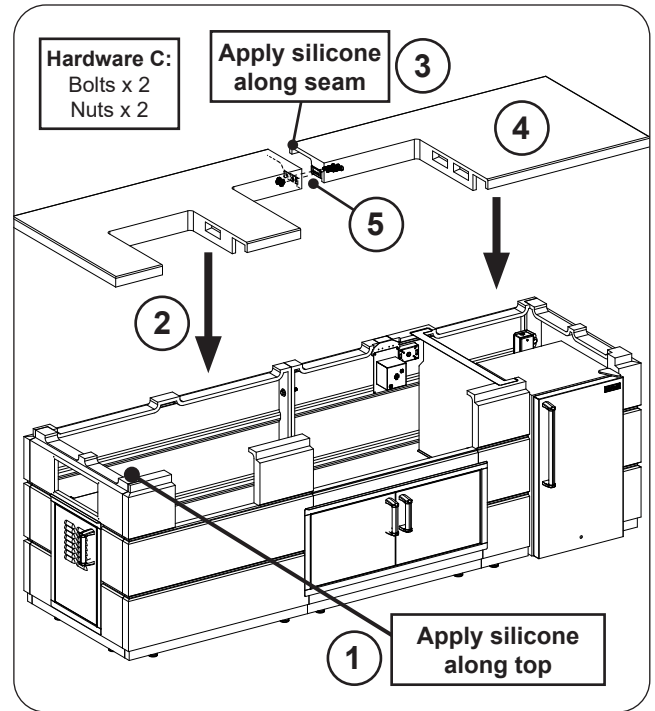


Fig. 14-1 Assemble countertop

Install Grill/Griddle/Pizza Oven, Double Searing Station/Power Burner, and Timer Box (as applicable)

The grill/griddle/pizza oven, double searing station/power burner, and timer box for your island are purchased separately. Follow all instructions provided with your grill/griddle/pizza oven, double searing station/power burner, and timer box for installation. See Fig. 14-2 for install locations.

Note: When installing the timer box, use the screws provided with the island.

The timer box is etched to indicate which timer is for the grill, and which timer is for the accessory. Be sure to install the grill and accessory accordingly (see Fig. 14-3).

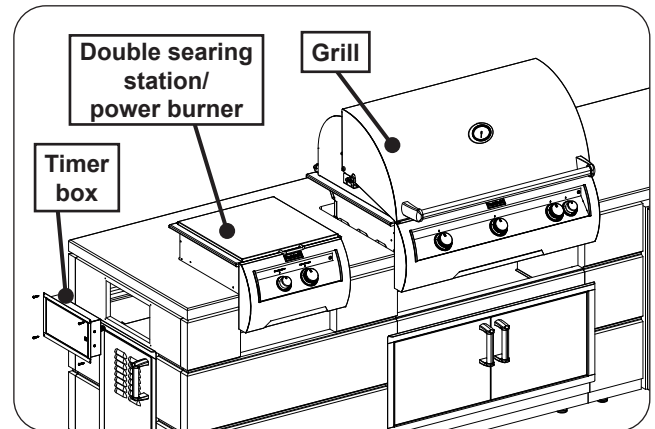


Fig. 14-2 Install grill/griddle/pizza oven, timer box, and double searing station/power burner

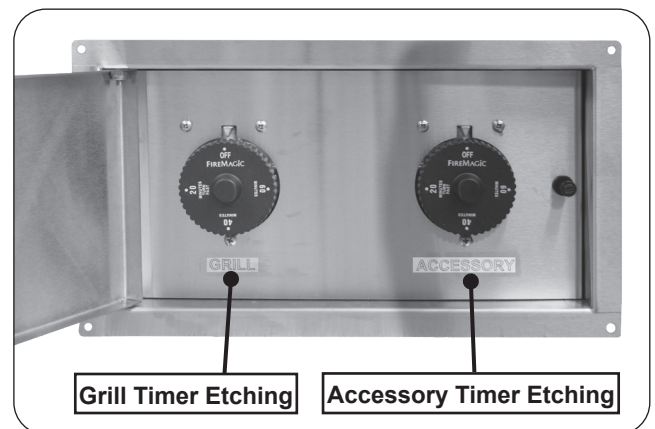


Fig. 14-3 Place timer box etching

Please use this page to record any information that you may want to have at hand.

CARE AND CLEANING

- **Keep the vent openings and surrounding area of the of the unit clean and free at all times.**
- For grill/griddle/pizza oven and accessory care and cleaning, refer to the owner's manuals provided with the units.

CONCRETE COMPONENTS

As with any surface, concrete components require regular maintenance and care. Certain guidelines must be followed to preserve the concrete's appearance and structural integrity.

- Use trivets to protect your countertop from high-heat.
- **Scratches may occur due to usage.** To minimize, avoid striking or dragging heavy, rough, or sharp objects across the countertop. Use a cutting board when using knives.
- **Spotting and hairline cracks may occur due to the nature of the product and are not considered a manufacturing defect.**
- **Concrete products are porous and susceptible to discoloration from liquids (especially oils and acidic substances).** During use, clean up any spills immediately to prevent any possible staining or damage to the finish. Avoid allowing water (or any liquid / substance) to stand on the surface. Using coasters for drinks is highly recommended.
- After each use, clean up any food particles or debris.
- **To clean the concrete, first wash with a mild soap and water solution. For stubborn stains, a vinyl brush may be used. Allow to dry. Annually, follow up with a masonry sealer in order to preserve the finish.**
- It should be noted that, like natural stone, concrete products will develop a patina when left outside. No two concrete products are identically the same and the finish will vary.