

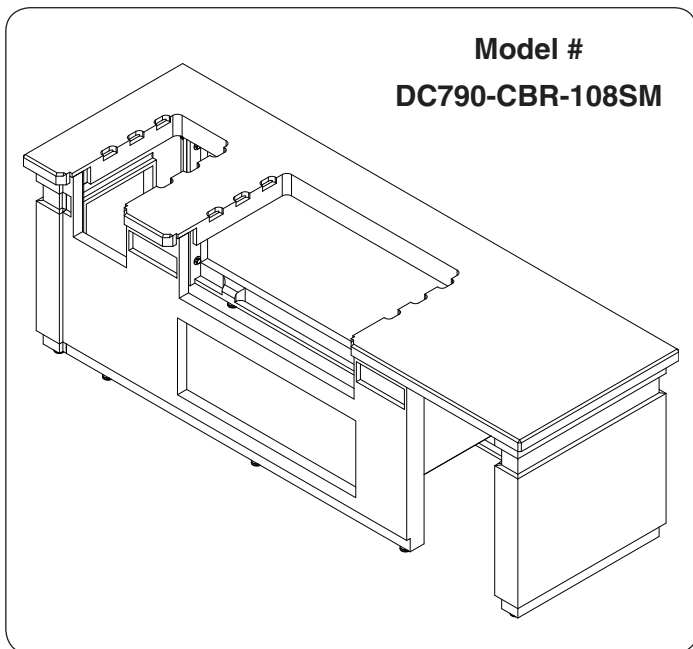
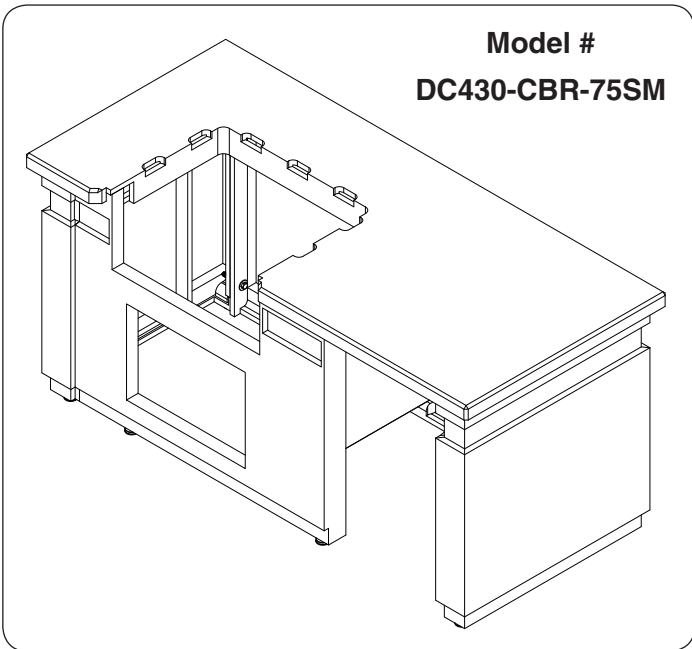


ISLAND ENCLOSURE

**ASSEMBLY &
OWNER'S MANUAL**

INSTALLER: Leave these instructions with consumer.
CONSUMER: Retain for future reference.

IMPORTANT: READ THESE INSTRUCTIONS CAREFULLY BEFORE STARTING ASSEMBLY.



- Only Fire Magic / A.O.G. grills and accessories are to be used with this island enclosure.
- Fire Magic / A.O.G. grill and accessories are not included. Contact your dealer for ordering information.
- When installing an L.P. cylinder within this enclosure, it must be installed with a Fire Magic Door w/ Tank Tray and Louvers:
Model #s (2,3,4,5)3820-TS(L,R), 23920-1T-S
- Follow all instructions included with the grill and accessories to be installed into this enclosure.
- This island enclosure design provides all necessary ventilation.
- Adapter kits are available to accommodate additional grill/accessories. Contact your dealer for ordering information.

SPECIFICATIONS

Description	Dimension	
	DC430	DC790
Height	36"	36"
Width	76 1/4"	107 1/2"
Depth	34 3/4"	34 3/4"

Table 1 - Overall Island Dimensions

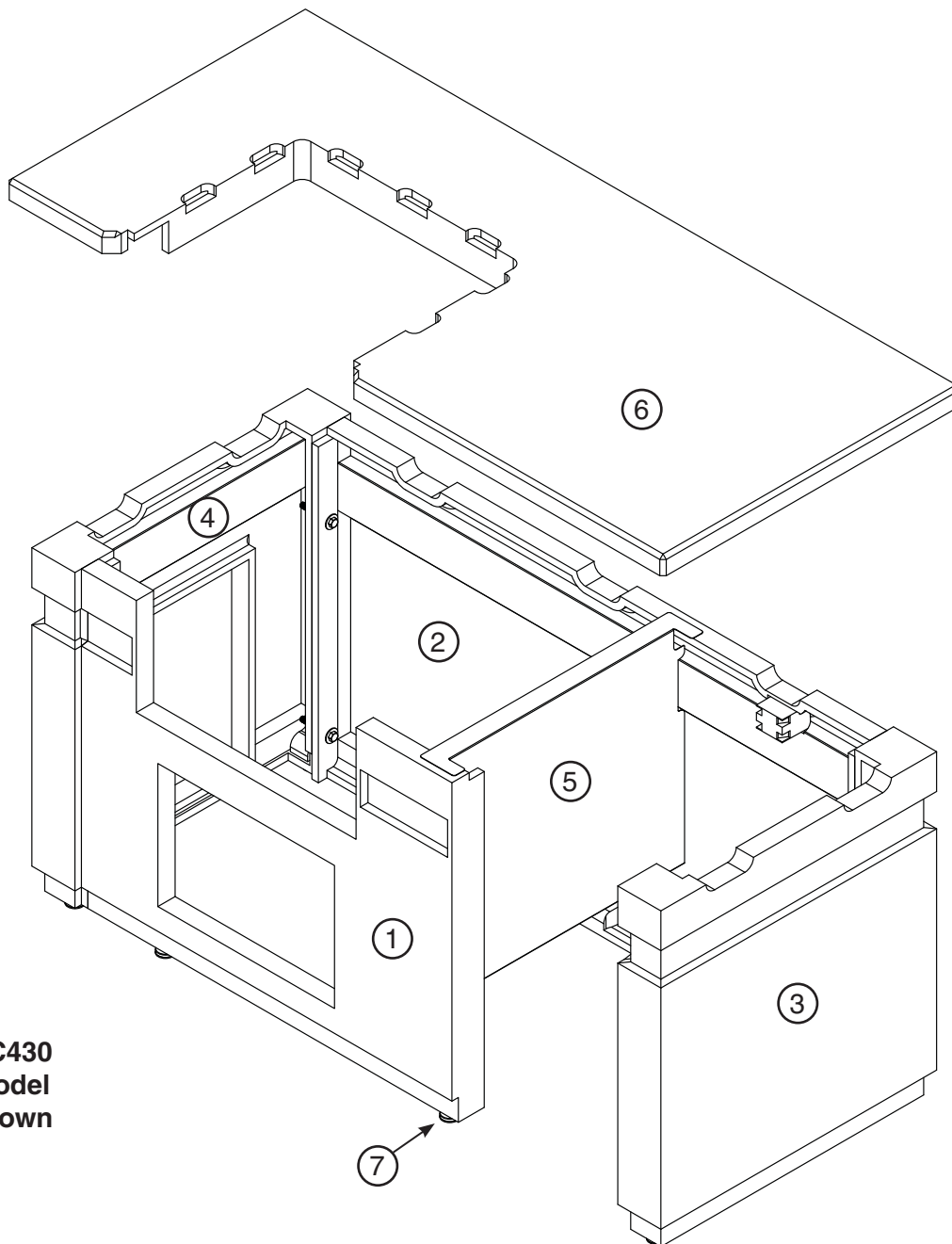
Item	Option(s)	
	DC430	DC790
Grills	A430i, C430i, 24(N,P)B (w/adapter kit)	(A,E)790i, (A,E)660i (w/adapter kit), 36(N,P)B (w/adapter kit)
Side Burner	n/a	32814, 3281, 3282
Refrigerator	3590A, 3590-D(L,R), REF-20	3590A, 3590-D(L,R), REF-20
End Panel Door	23820-S, 23920-S, 23920-1-S, 23920-1T-S, (3,4,5)3820-S(L,R), (3,4,5)3820-TS(L,R), (3,4,5)3920-S(L,R), 33920-1-S(L,R), 23920, 23920-1T, 23920-1	23820-S, 23920-S, 23920-1-S, 23920-1T-S, (3,4,5)3820-S(L,R), (3,4,5)3820-TS(L,R), (3,4,5)3920-S(L,R), 33920-1-S(L,R), 23920, 23920-1T, 23920-1
Under Grill Access Door	23914-S, (3,4,5)3914-S(L,R) 23914	53938S
Grill Adapter Kit	AD-24C [for 24(N,P)B grill]	AD-36C [for 36(N,P)B grill], DC-AD-660 [for (A,E)660i grill]
Side Burner Adapter Kit	n/a	3282-AD (for 3282 side burner)

Table 2 - Island Options

PARTS LIST

Item	Description	DC430 Qty.	DC790 Qty.
1.	Front wall	1	1
2.	Rear wall	1	1
3.	Right side wall	1	1
4.	Left side wall	1	1
5.	Heat shield	1	1
6.	Countertop	1	1
7.	Leveler bolts	8	9
8.	Hex bolt kits, 1/2"-13 x 3.5" *	6	6
9.	Phillips screws, #8 x 1" *	18	22

* Not shown



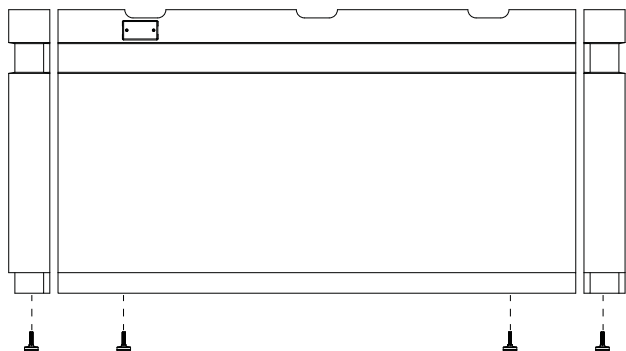
ASSEMBLY

Tools required:

- Two 3/4" open end wrenches
- Power drill with Phillips driver and 1/8" drill bit

DC430 model shown. Island design may vary.

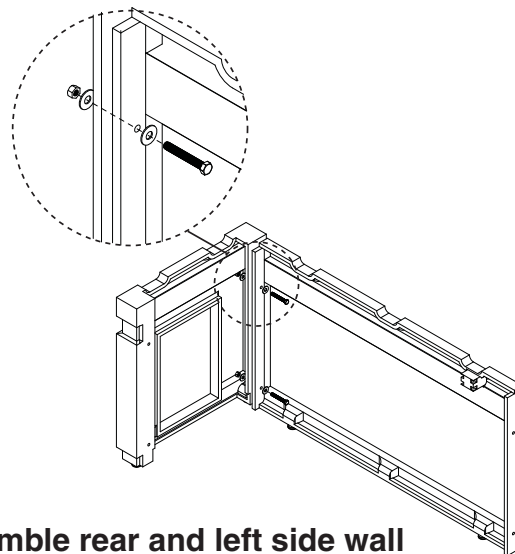
This island MUST be installed on a hard and level surface. Assembly requires two or more people.



Attach levelers to bottom of all 4 walls

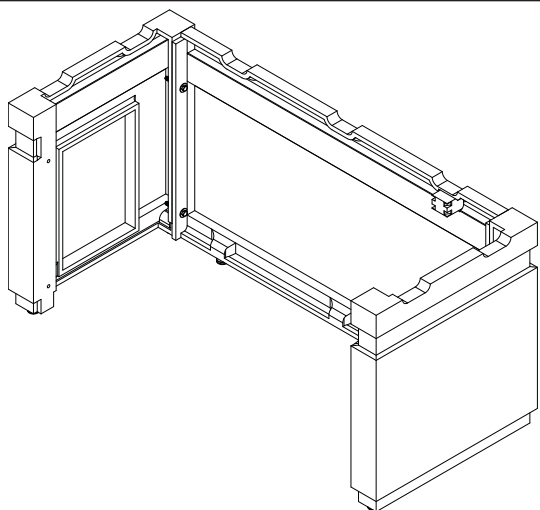
1. Turn the front wall upside down and attach the leveler(s). Repeat for the rear wall and two side walls.

Important: The levelers are required for ventilation and leveling purposes.



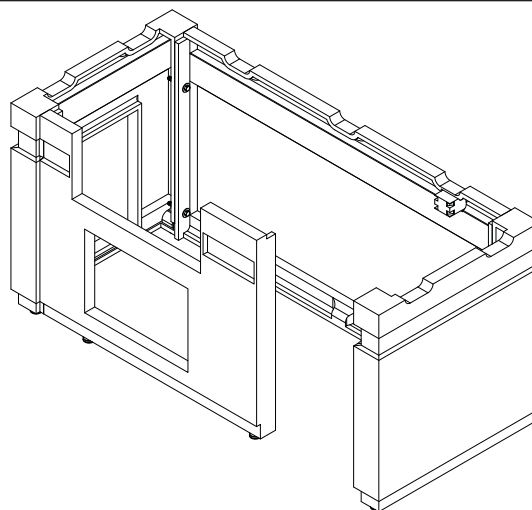
Assemble rear and left side wall

2. Orient the rear wall and left side wall as shown. Carefully align the pilot holes, and insert the hardware in the order shown. Hand tighten, then use two 3/4" open end wrenches to fasten.



Assemble right side wall

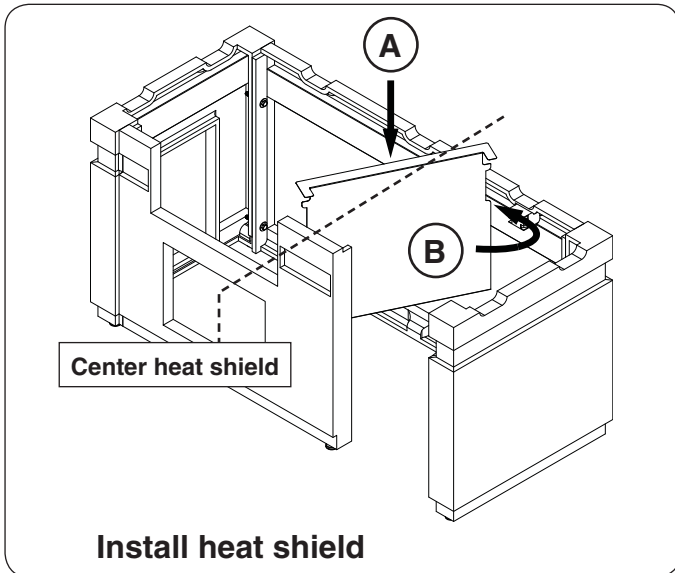
3. Orient the right side wall and repeat the hardware installation process.



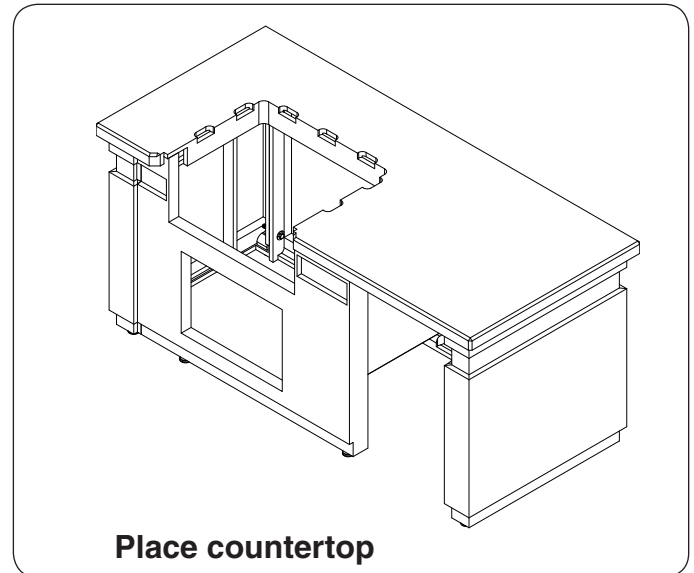
Assemble front wall

4. Orient the front wall and repeat the hardware installation process (on left side only).

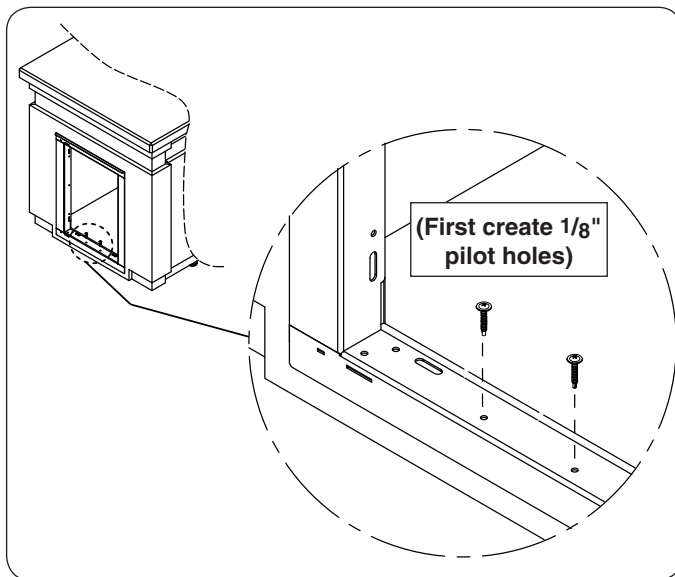
ASSEMBLY (Cont.)



5. Install the heat shield. It will need to be inserted at an angle to clear the island (A). Then turn it (within the island slots) until it is perpendicular with the front and rear walls (B). Center the heat shield in the area shown above.



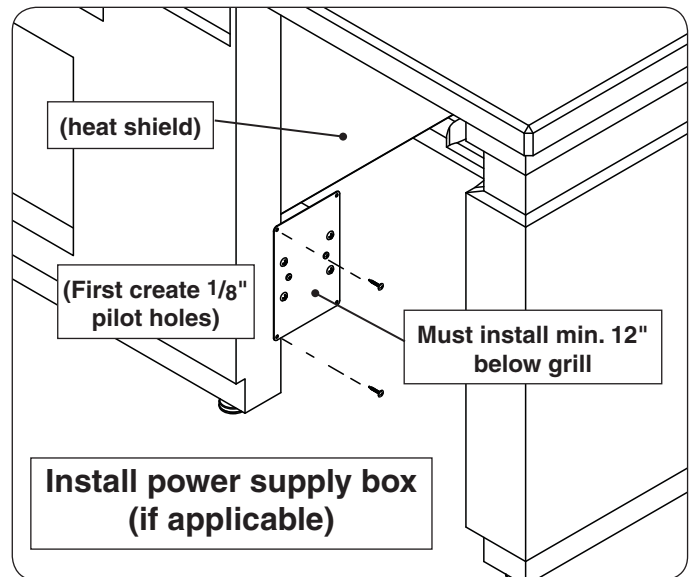
6. Apply silicone along the top of island. Then place the countertop onto the island as shown. Be sure to align the grill cutout in the countertop with the opening in the front wall.



7. Refer to the instructions provided with your selected grill, accessory, and door for installation.

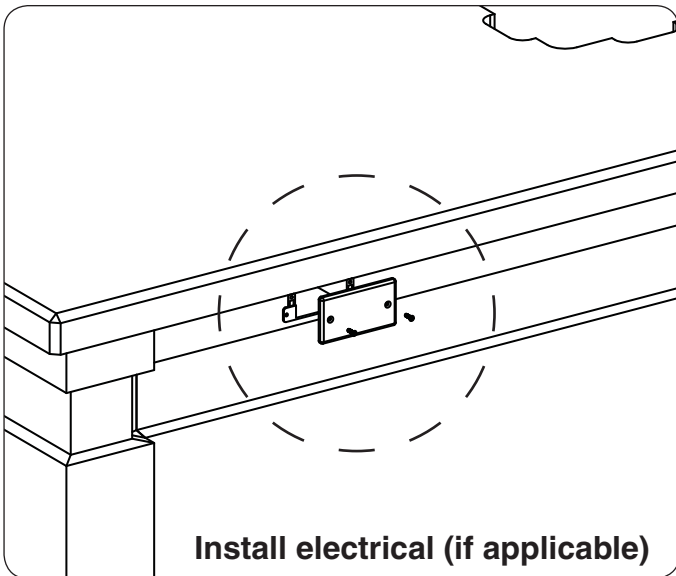
The Phillips screws provided with this island enclosure are required for proper door installation. Use the power drill and 1/8" bit to drill all pilot holes needed (through the frame pilot holes). Then install the screws as shown in the above illustration.

2 additional screws are provided if a power supply box is to be installed.



8. If your grill was equipped with a power supply box, drill two pilot holes, then use the remaining 2 Phillips screws provided to mount the box to the front wall, just below the heat shield, as shown above. REFER TO THE GRILL OWNER'S MANUAL FOR ALL SAFETY INFORMATION REGARDING THE POWER SUPPLY BOX.

ASSEMBLY (Cont.)



9. If electrical is required, remove the plate found on the rear wall, and contact a licensed electrician for proper installation.

CARE AND CLEANING

- **Keep the vent openings and surrounding area of the of the unit clean and free of obstructions at all times.**
- **To maintain the concrete components**, first wash them with a mild soap and water solution. A vinyl brush is recommended. Allow to dry and follow up with a concrete sealer in order to preserve the finish.
Fire Magic recommends *Miracle Sealants Tile & Stone Cleaner* and *511 Porous Plus Sealer* products to maintain the concrete.
- During use, clean up any spills immediately to prevent any possible staining or damage to the finish.