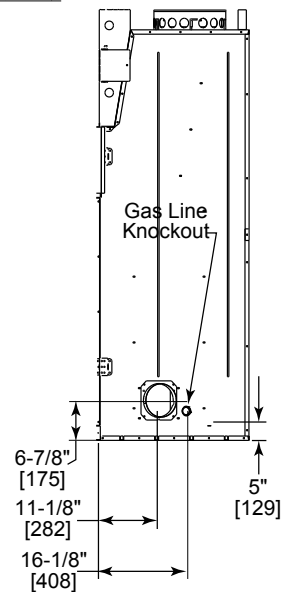
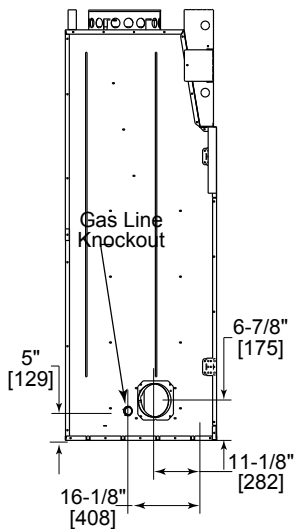
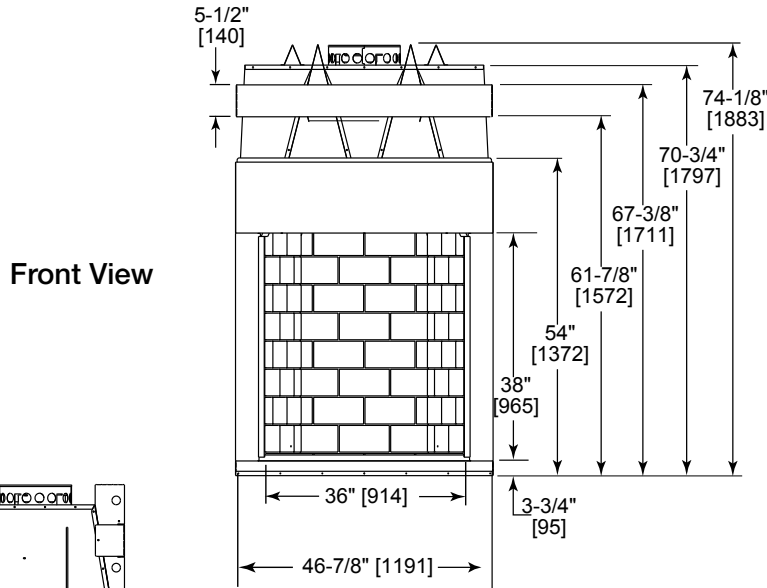
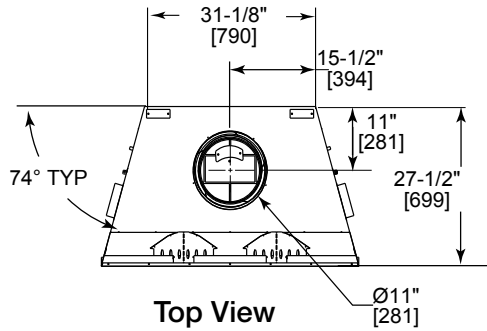


MAJESTIC

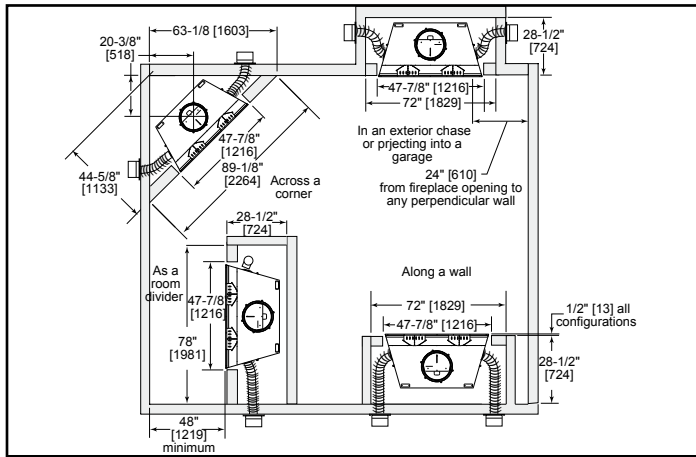
Please consult the manufacturer's installation manual for all details and requirements before making a final design layout decision.

ASHLAND
36" Wood Fireplace

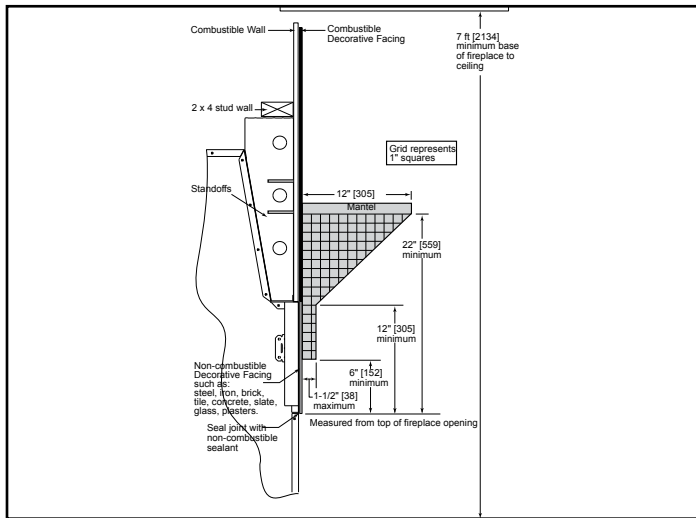
| MODEL | FRONT WIDTH | | BACK WIDTH | | HEIGHT | | DEPTH | | FIREPLACE OPENING |
|-------|---------------------|---------------------|--------------------|---------------------|---------------------|---------------------|--------------------|--------------------|------------------------------|
| | Actual | Framing | Actual | Framing | Actual | Framing | Actual | Framing | |
| ASH36 | 46-7/8" (1191mm) | 47-7/8" (1194mm) | 31-1/8" (787mm) | 47-7/8" (1194mm) | 74-1/8" (1883mm) | 74-1/2" (1892mm) | 27-1/2" (699mm) | 28-1/2" (724mm) | 36" x 38" (914mm x 965mm) |



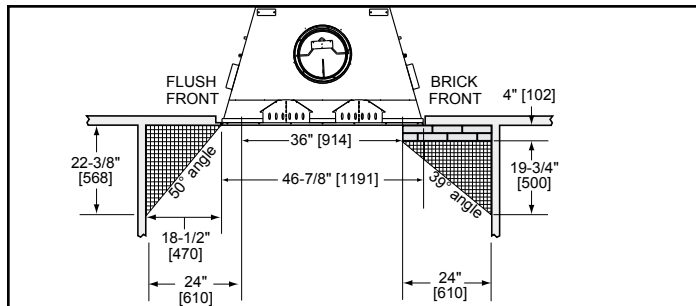
APPLIANCE LOCATION



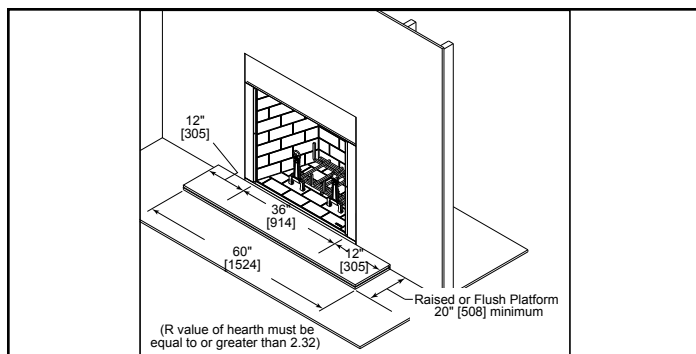
MANTEL PROJECTIONS



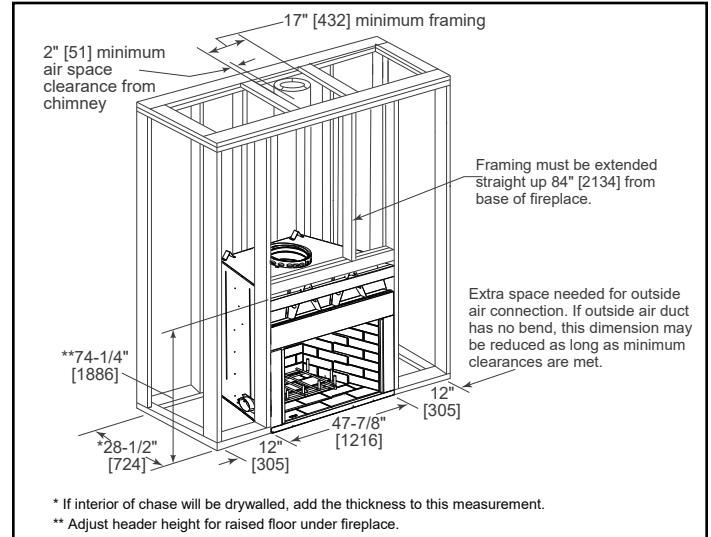
MANTEL LEG/WALL PROJECTIONS



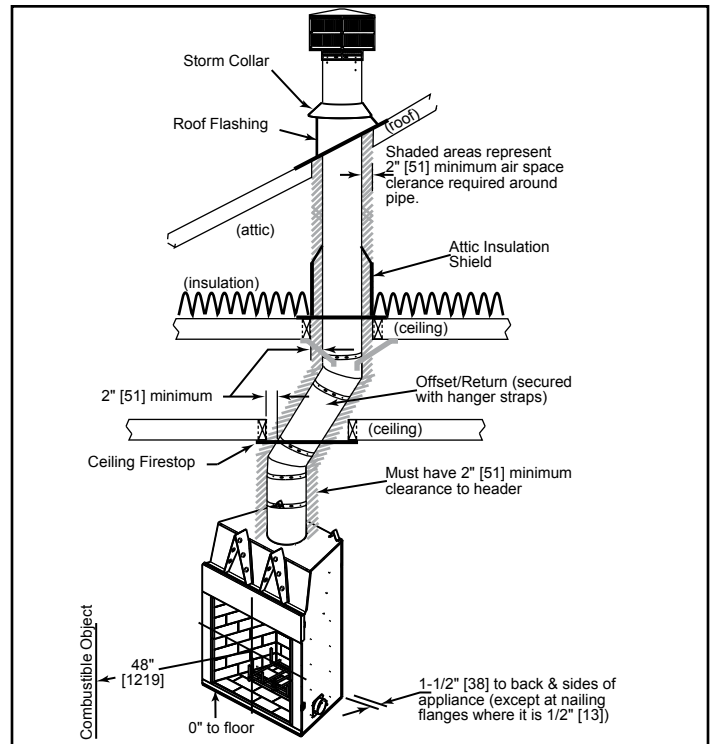
HEARTH EXTENSIONS



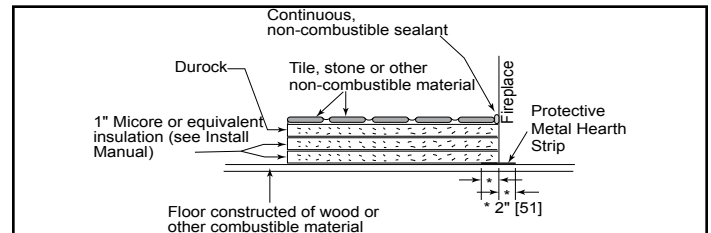
FRAMING DIMENSIONS



CLEARANCES TO COMBUSTIBLES



HEARTH EXTENSION CONSTRUCTION



PRODUCT LISTING CODES

| | |
|----|--------|
| US | UL 127 |
|----|--------|

Product information provided is not complete and is subject to change without notice. Product installation must adhere strictly to instructions accompanying product to avoid risk of fire and potential injury.

Additional information can be found online at www.majesticproducts.com