

AVFLST48SSODK Stainless Steel Outdoor Kit

This kit has been tested for use with specific Hearth & Home Technologies products. Check with your local building code agency before you begin installation to ensure compliance with local codes, including the need for permits and follow-up inspections. If you encounter any problems regarding code approvals, or if you need clarification of any of the instructions contained here, contact your Hearth & Home Technologies dealer. For the dealer nearest you, please visit www.hearth-home.com.

Black Magic Glass Liner Kit Model No.	Used on Model(s)	
AVFLST48SSODK	AVFLST48NIP	AVFLST48PIP

The AVFLST48SSODK kit is designed for use on the models shown in the chart above. Read these instructions thoroughly before beginning installation.

CAUTION: Allow appliance to cool completely if it has been in operation.

The AVFLST48SSODK stainless steel outdoor kit is designed to allow installation of the AVFLST48N(P)IP see-through appliances on an exterior wall. The control side of the appliance is on the interior of the building and the opposite side is viewable from outside the building.

This kit ships with an interior glass assembly, exterior stainless front assembly and an insulation box that needs to be assembled to the appliance before the appliance is installed and framed with building materials.

After installation, exterior noncombustible finishing material such as stone or brick may be placed over the outer surround of the facing kit only. Do not cover any portion of the stainless screen cover or the stainless drip edge that is installed above the screen cover.

KIT CONTENTS:

- Outer Stainless Face
- Inner glass frame assembly
- 4 pieces of insulation
- Top Insulation Box
- Installation Brackets
- Fastener Pack
- Installation Instructions

TOOL REQUIRED:

- Short handle Phillips head screwdriver
- Long handle Phillips head screwdriver
- Caulk gun & caulk material (300°F minimum continuous exposure rating suitable for outdoor use)

INSTALLATION INSTRUCTIONS:

NOTE: The stainless steel outdoor kit can only be installed on the side of the fireplace designed to face the outside of the building. The interior side of the fireplace has the control system accessible through the lower access panel.

1. Remove all loose contents from the AVFLST42N(P)IP see-through fireplace including hardware and packaging materials.
2. Carefully lean unit so the outdoor side is facing up. Use a helper or lean against a suitable prop.
3. Remove the top non-comb board, top stand-offs, screen, nailing flanges and hood from the outdoor side of the AVFLST48N(P)IP appliance. See Figure 1.
4. Remove the four shoulder screws from the columns and discard. See Figure 1.
5. Remove the screws from the left and right side of the appliance. See Figure 1.

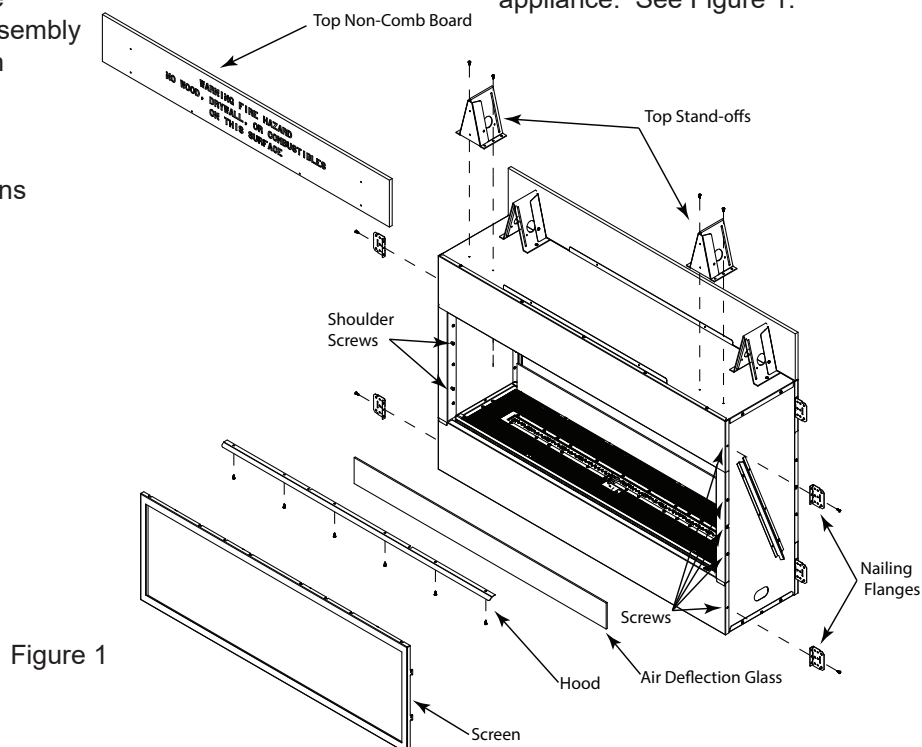


Figure 1

6. Install the outdoor kit installation brackets on the left and right side of the appliance. See Figure 2.

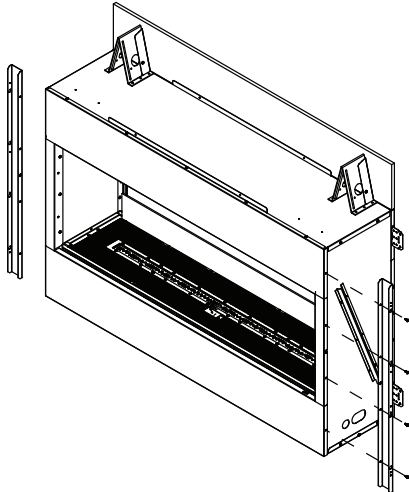


Figure 2

7. Remove the inner glass assembly from the inner glass assembly frame. See Figure 3.

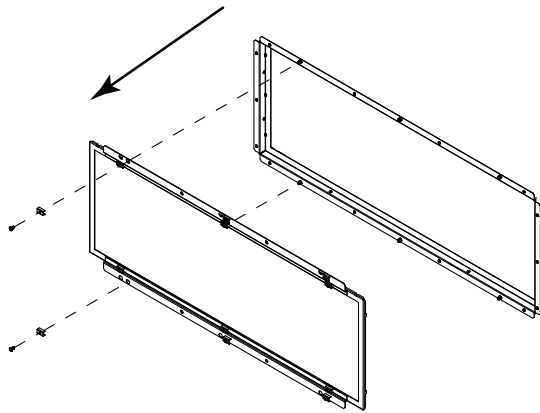


Figure 3

8. Attach the inner glass assembly frame to the appliance columns as well as the top and bottom face with screws. See Figure 4.

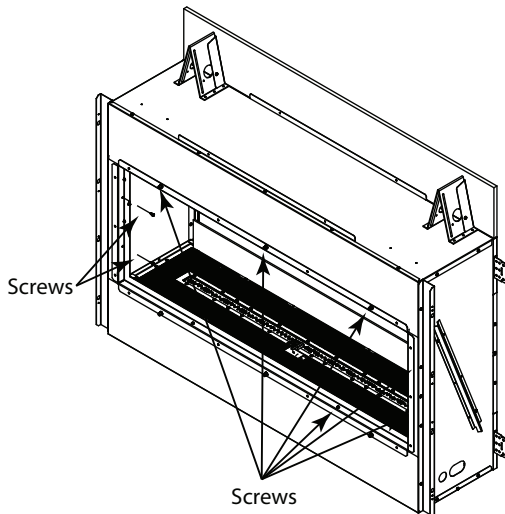


Figure 4

9. Attach the inner glass assembly frame to the appliance face with the self-drilling screws provided. See Figure 5.

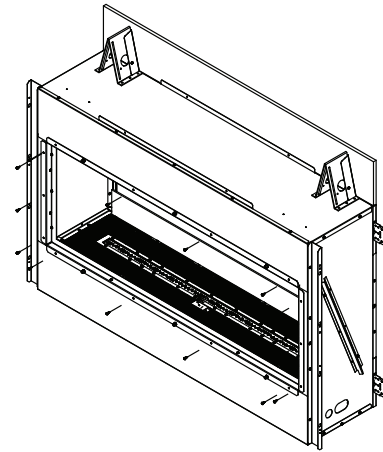


Figure 5

10. Install the inner glass frame assembly onto the inner glass assembly frame using the 1/4-20 stainless steel bolts and stainless steel brackets. See Figure 6 and 7.

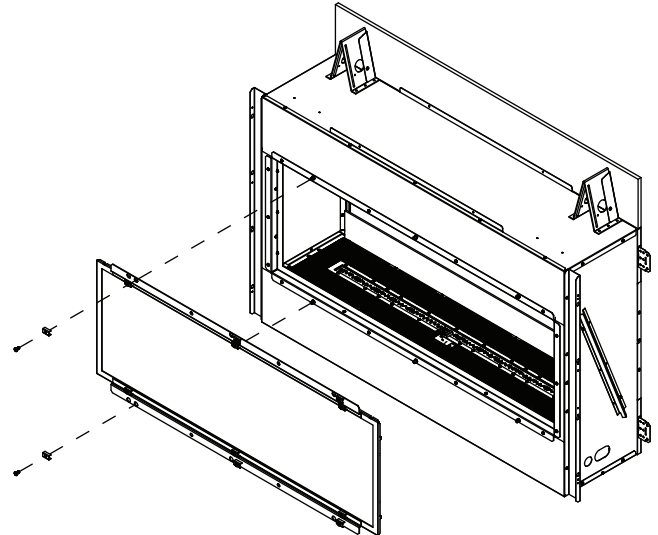


Figure 6

Figure 7 Inner Glass Frame Installed

11. Remove the screws that attach the top face to the top pan so the outer stainless face can be installed. See Figure 8.

NOTE: To improve the thermal insulation properties of your outdoor kit, we recommend installing four (4) strips of non-combustible insulation (not supplied) behind the facing kit inside the perimeter of the outer frame. Before installing the face, install insulation with a thin coat of construction adhesive. See Figure 8.

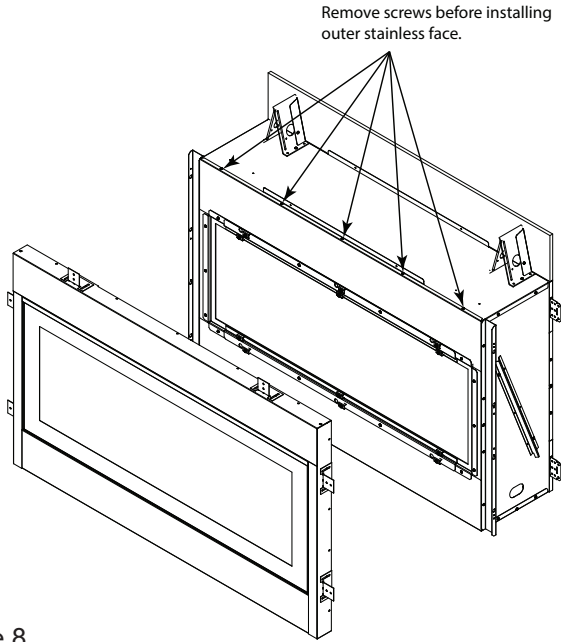


Figure 8

12. Install the outer stainless face and attach with five (5) stainless screws across the top and four (4) screws on both the left and right side of the face. See Figure 9.

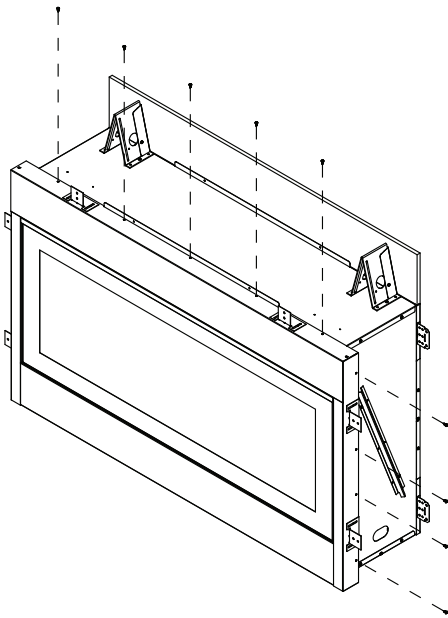


Figure 9

13. Place four (4) pieces of insulation in the top insulation box and install the box on the top of the appliance. See Figure 10 and 11.



Figure 10

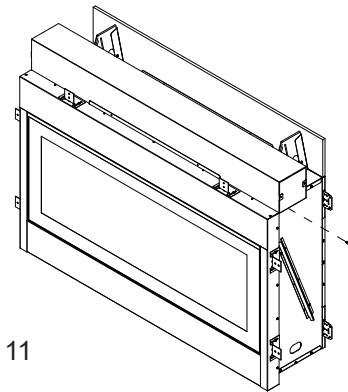


Figure 11

14. Position appliance with outdoor kit in the final installation location. Secure the installation brackets to the wall framing. Install electrical supply and gas supply according to installation instructions supplied with your appliance. See Figure 12.

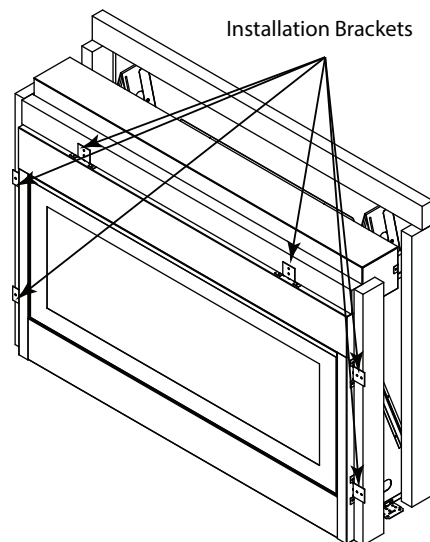


Figure 12

- Seal the seams around the facing material with caulk with a minimum of 300°F continuous exposure rating to weather-seal the facing kit. See Figure 13 and 14.

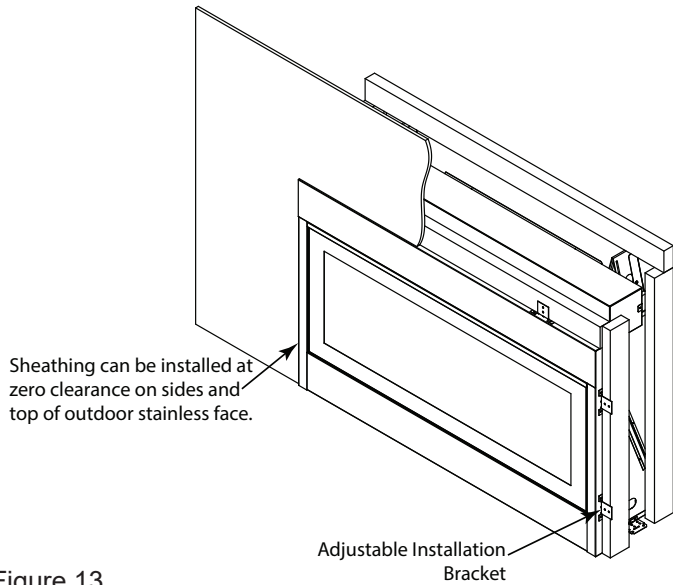


Figure 13

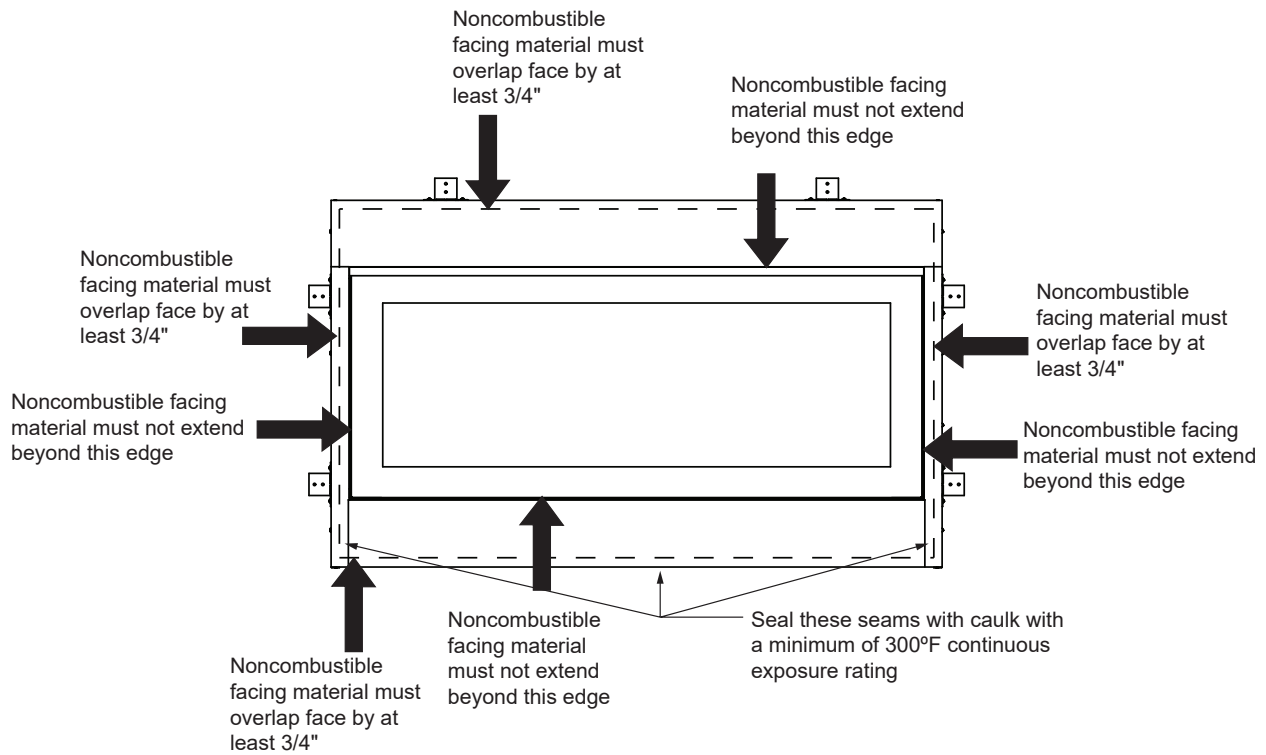


Figure 14

Hearth & Home Technologies
 2571 215th Street West • Lakeville, MN 55044
www.hearthnhome.com