

**SLDVT FIREPLACE SPECIFICATIONS**

506035-08  
Rev. C, 03/2013



Report No. 100326540PRT-001

**Table 1: Input Rate, Gas Valves**

Model	Input Rate (BTU/HR)	
	Natural Gas	Propane Gas
SLDVT-30	13,500 high 10,500 low	12,500 high 9,000 low
SLDVT-35	16,000 high 12,500 low	15,000 high 11,500 low
SLDVT-40	20,000 high 15,500 low	20,000 high 15,800 low
SLDVT-45	23,000 high 17,500 low	22,000 high 17,000 low

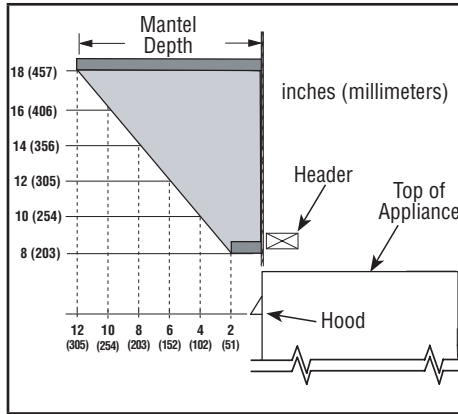
**Table 2: Inlet Gas Supply Pressure**

Fuel	Minimum	Maximum
Natural Gas	4.5 in. WC (1.12 kPa)	10.5 in. WC (2.61 kPa)
Propane	11.0 in. WC (2.74 kPa)	13.0 in. WC (3.23 kPa)

**Table 3: Manifold Gas Supply Pressure**

Fuel	Low	High
Natural Gas	2.2 in. WC (0.55 kPa)	3.5 in. WC (0.87 kPa)
Propane	6.3 in. WC (1.57 kPa)	10.0 in. WC (2.49 kPa)

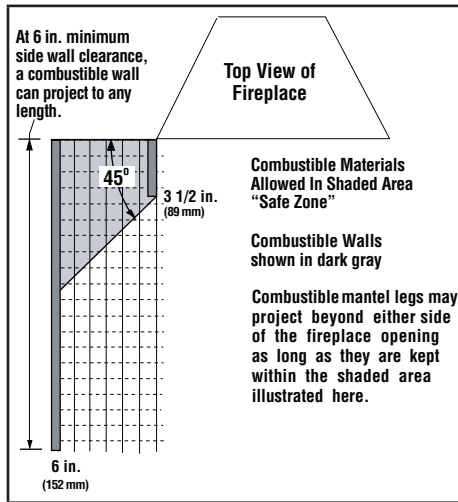
**Figure 1: Minimum Mantel Clearances**



**Table 4: Framing Dimensions for Roof**

Pitch	C	D
0/12	10 1/2 in. (267 mm)	10 1/2 in. (267 mm)
6/12	10 1/2 in. (267 mm)	12 in. (305 mm)
12/12	10 1/2 in. (267 mm)	17 3/4 in. (451 mm)

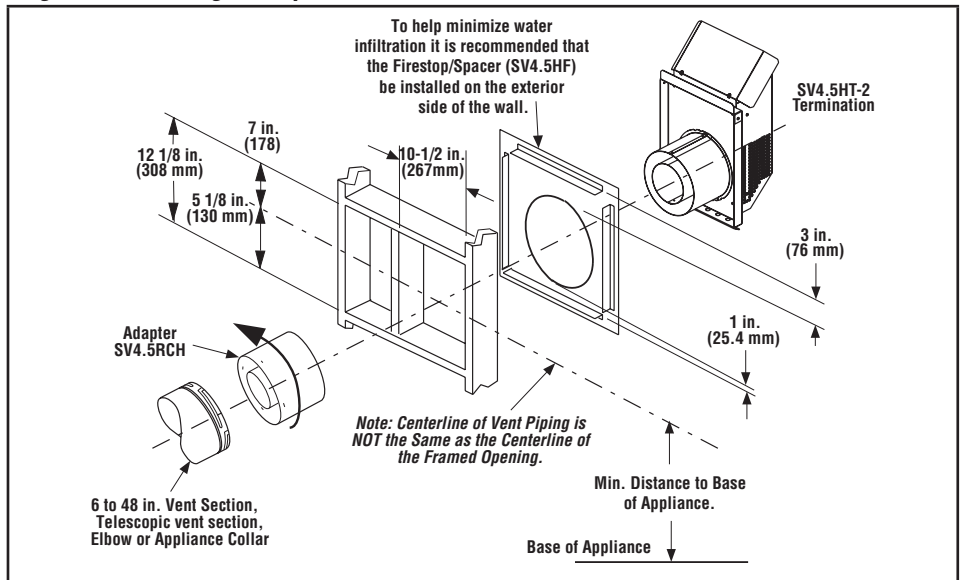
**Figure 2: Minimum Distance to Side Wall**



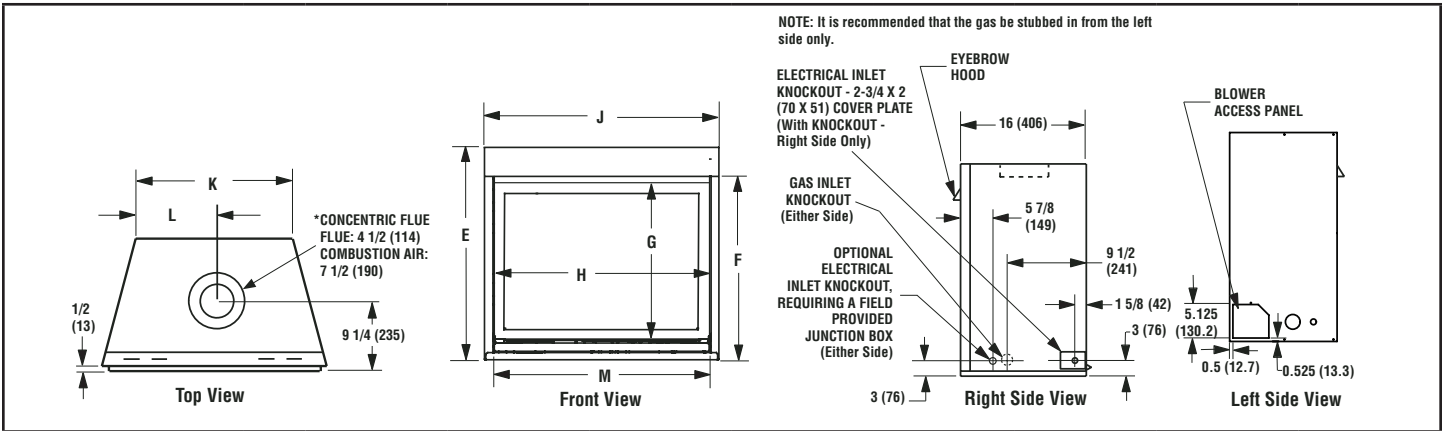
**Table 5: Shelf Height Minimum Clearances**

Model	Top Vent—with One 90° Elbow	
	Secure Vent	Secure Flex
SLDVT-30/35	46 1/2 in. (1181 mm)	48 1/4 in. (1226 mm)
SLDVT-40/45	51 1/2 in. (1308 mm)	53 1/4 in. (1349 mm)

**Figure 3: Installing the Square Horizontal Termination**



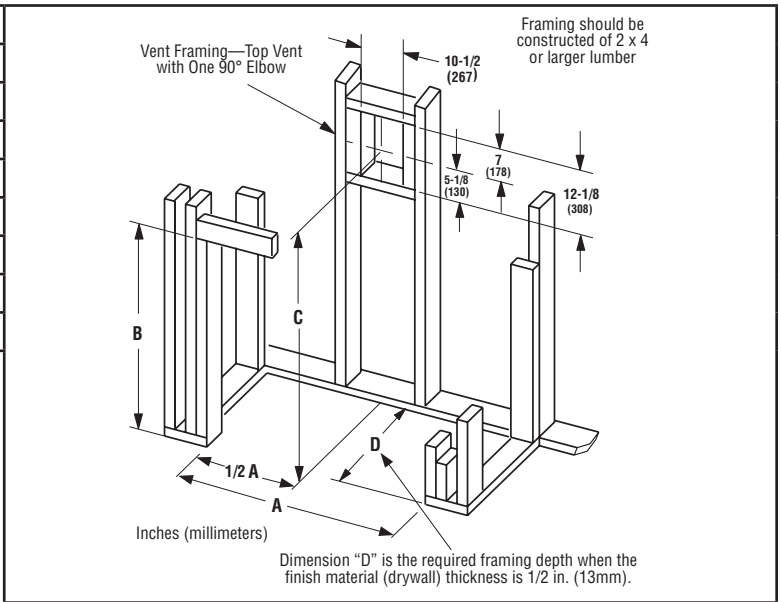
**Table 6: Fireplace Specifications**



Model		E	F	G	H	J	K	L	M
SLDVT-30	in.	32 1/4	28 1/8	23 1/4	27	30 1/4	20	10	28
	mm	819	714	590	686	768	508	254	711
SLDVT-35	in.	32 1/4	28 1/8	23 1/4	32	35 1/4	25	12 1/2	33
	mm	819	714	590	813	895	635	317	838
SLDVT-40	in.	37 1/4	33 1/8	28 1/4	37	40 1/4	30	15	38
	mm	946	841	718	940	1022	762	381	965
SLDVT-45	in.	37 1/4	33 1/8	28 1/4	42	45 1/4	35	17 1/2	43
	mm	946	841	718	1067	1149	889	445	1092

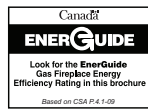
**Table 7: Fireplace Framing Specifications**

Model		A	B	C	D
SLDVT-30	in.	30 1/4	35 1/4	38 3/4	16
	mm	768	895	984	406
SLDVT-35	in.	35 1/4	35 1/4	38 3/4	16
	mm	895	895	984	406
SLDVT-40	in.	40 1/4	40 1/4	43 3/4	16
	mm	1022	1022	1111	406
SLDVT-45	in.	45 1/4	40 1/4	43 3/4	16
	mm	1149	1022	1111	406



**Note:**

Diagrams, illustrations and photographs are not to scale. Consult installation instructions. Product designs, materials, dimensions, specifications, colors, and prices are subject to change or discontinuation without notice.



**Table 8: Fireplace Framing Specifications—Corner Installation with Horizontal Termination**

Model		A	B	C	D	E
SLDVT-30	in.	30 1/4	53 3/16	37 29/32	26 13/16	12 1/4
	mm	768	1350	963	681	311
SLDVT-35	in.	35 1/4	57 1/2	40 5/8	28 3/4	13 3/4
	mm	895	1461	1032	730	349
SLDVT-40	in.	40 1/4	61 13/16	43 11/32	30 11/16	15 1/8
	mm	1022	1554	1101	779	384
SLDVT-45	in.	45 1/4	66 1/8	46 1/16	32 5/8	16 1/2
	mm	1149	1680	1170	829	419

